

# 10G GLOBALTECH LIMITED

Tel +233557451006

All Products are First Grade  
Quality from Turkey

## INDEX

**3**

WAITING SERIES AND  
RECEPTIONS FURNITURE

**24**

CLASSROOM AND  
AMPLIFIER PRODUCTS

**70**

LABORATORY  
PRODUCTS

**84**

LIBRARY  
PRODUCTS

**96**

DINING HALLS AND  
CANTEENS

**109**

CONFERENCE  
HALLS

**121**

OFFICE  
FURNITURE

**145**

METAL AND  
FILING CABINETS

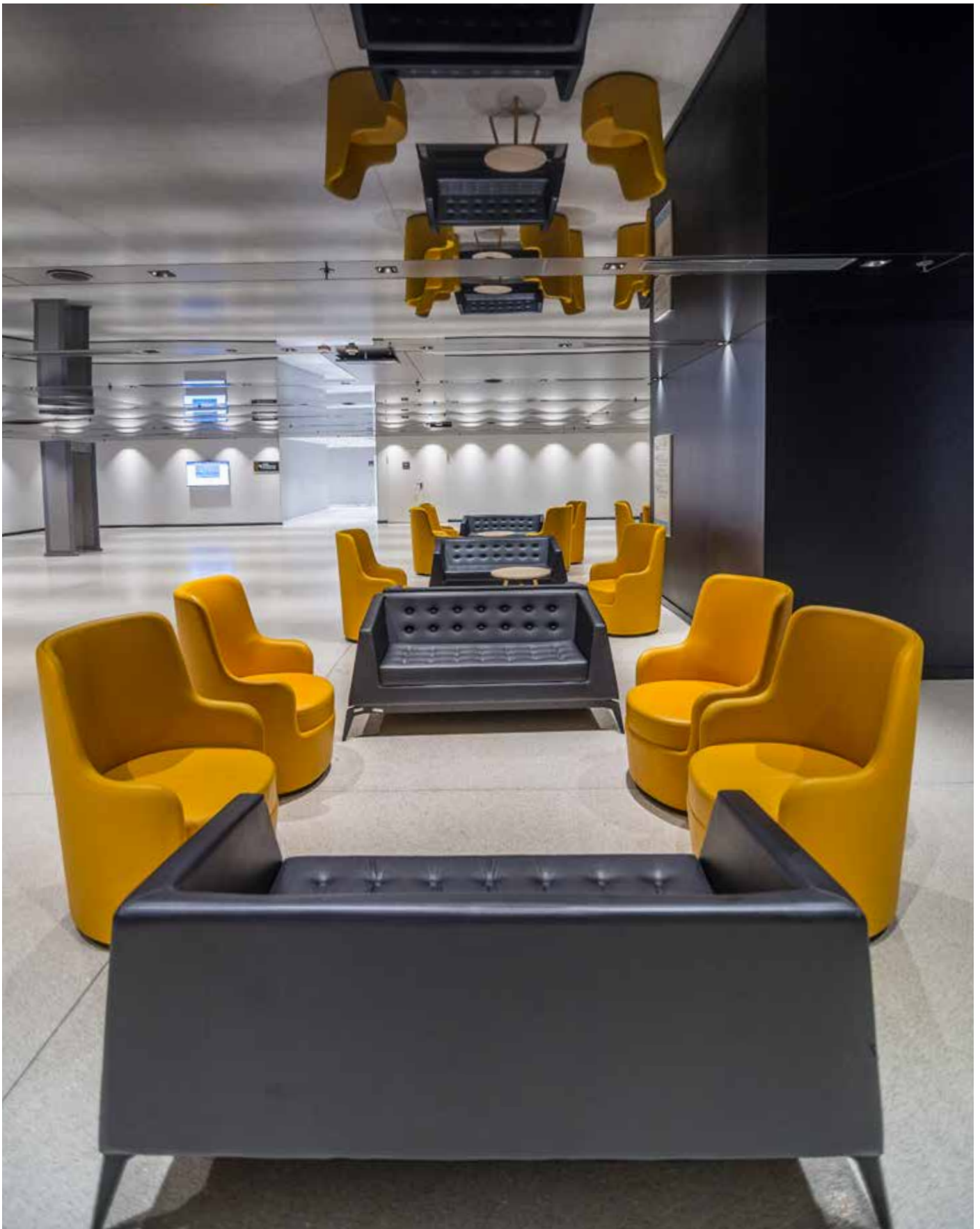
**155**

NURSERY AND  
KINDERGARTEN FURNITURE



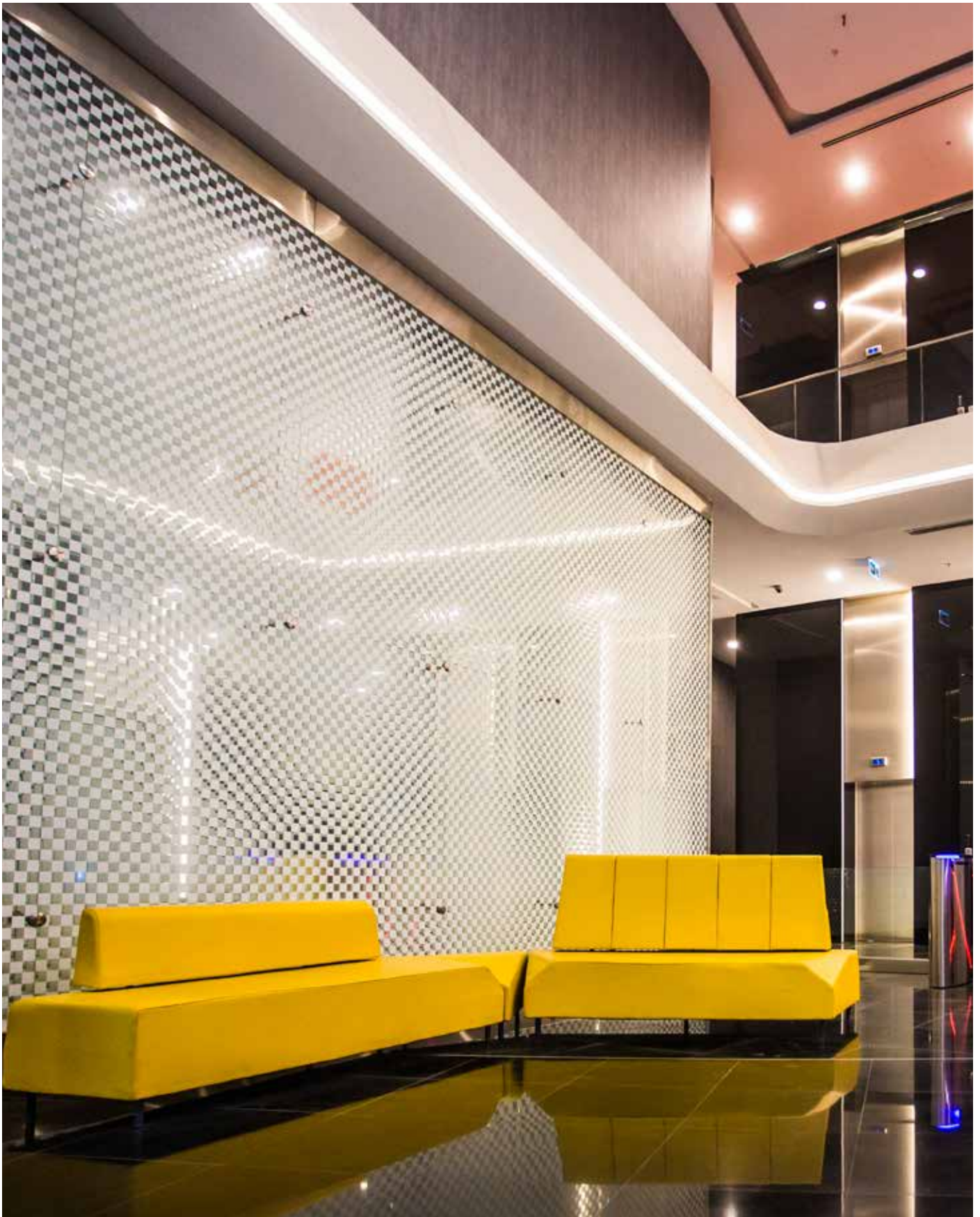
# **WAITING SERIES AND RECEPTIONS FURNITURE**

**WOULD YOU LIKE TO GIVE A  
LOOK AT WAITING AREA OF YOUR  
SCHOOL?**









# Waiting Series and Reception Furniture



BSR-SHELF





FLUID







DEM





DEM





STAY



KEOPS





KEOPS





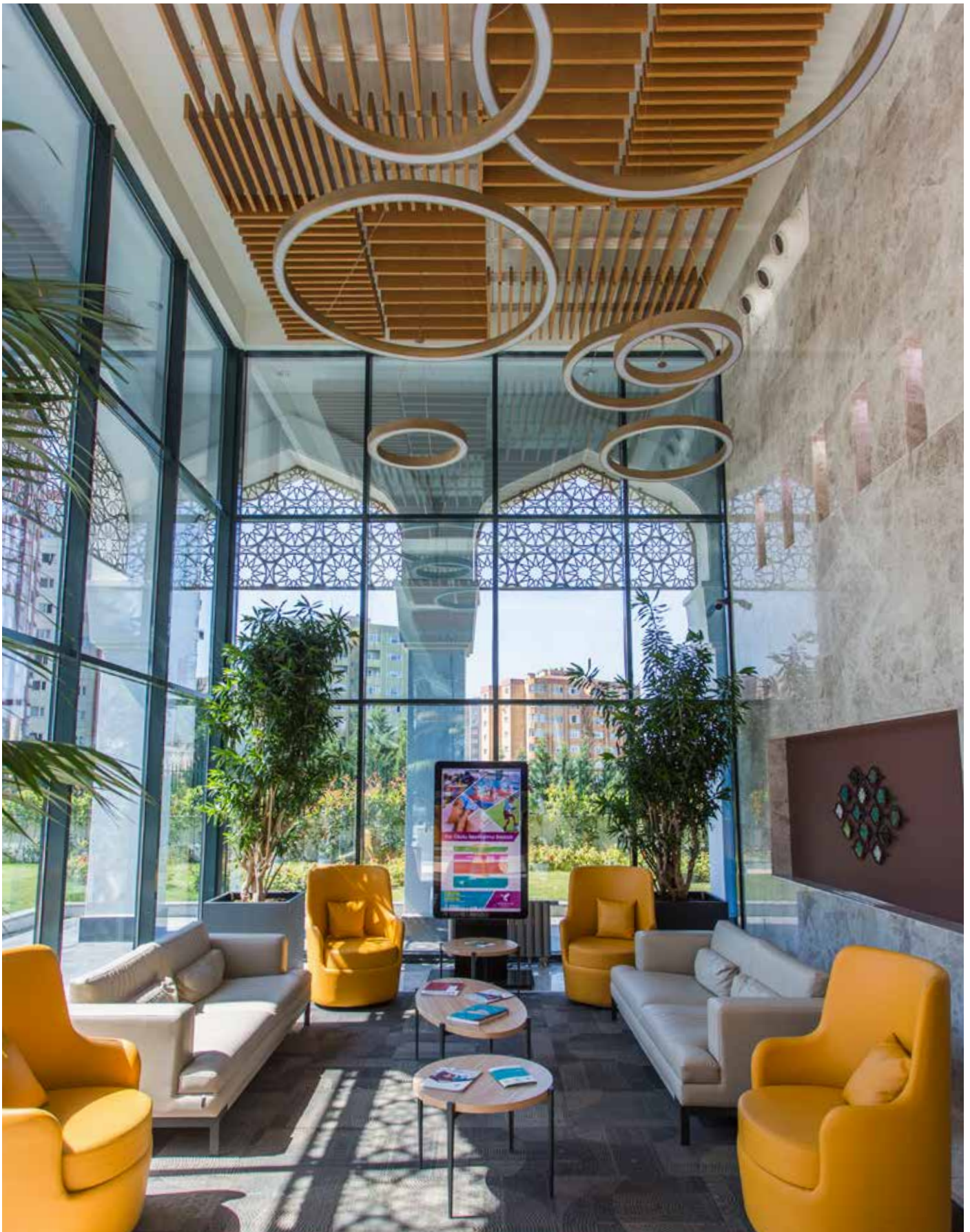
NAR & CONNECT PUF





NAR & CONNECT PUF













PUZZLE HIGH



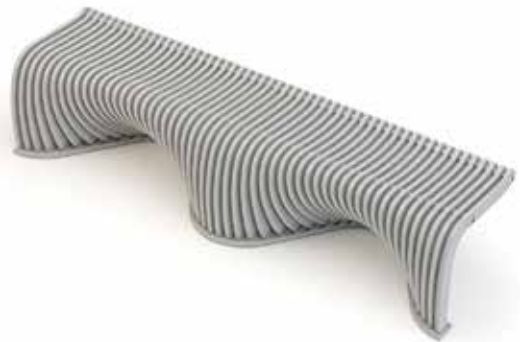


FLAT





BELUGA





PICK





HEXA





# CLASSROOM AND AMPLIFIER PRODUCTS

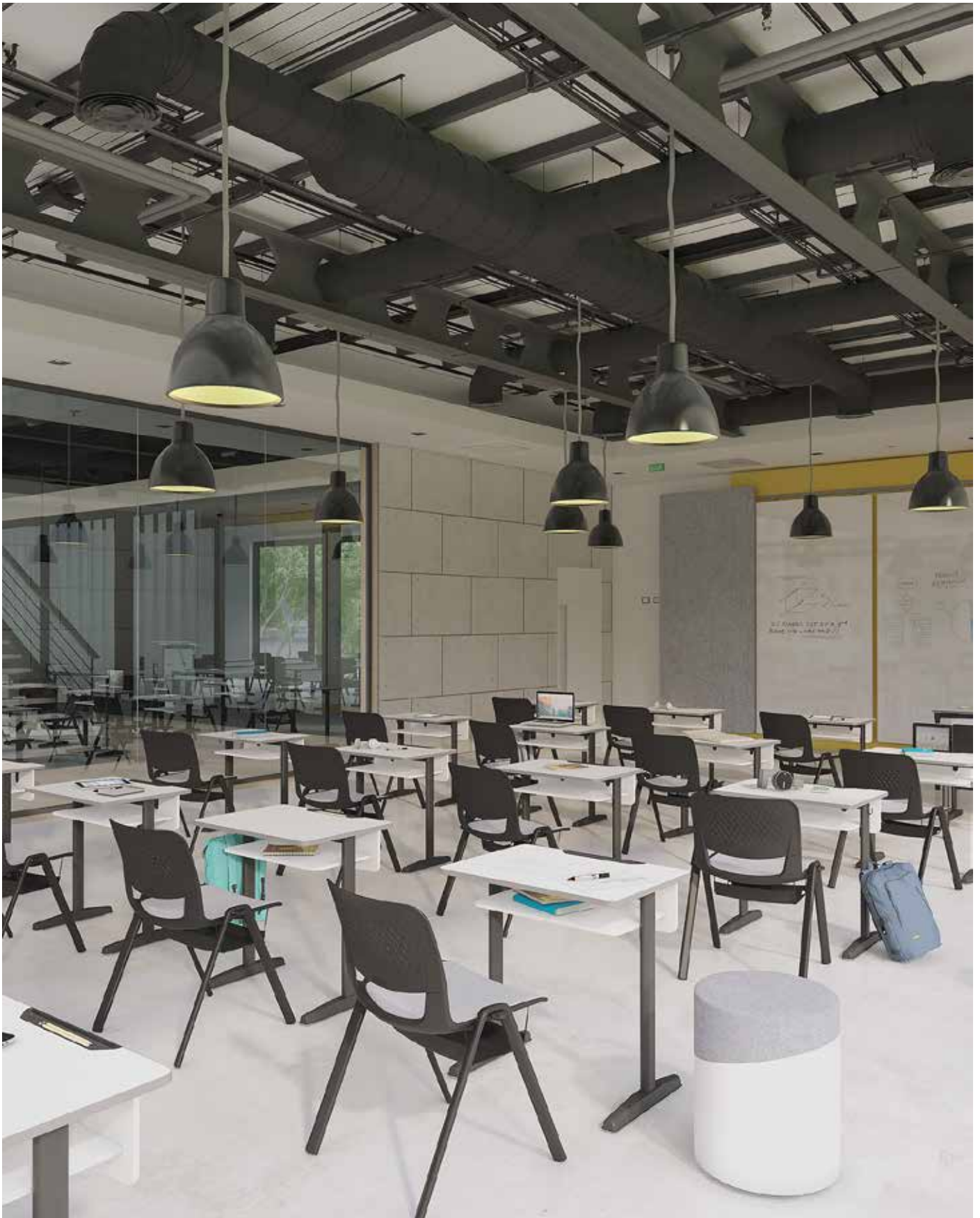
IMAGINE YOUR STUDENTS IN THESE  
CLASSROOMS.



















POLO STIL



VIZYON NEW



VIZYON



VIZYON





EXEN

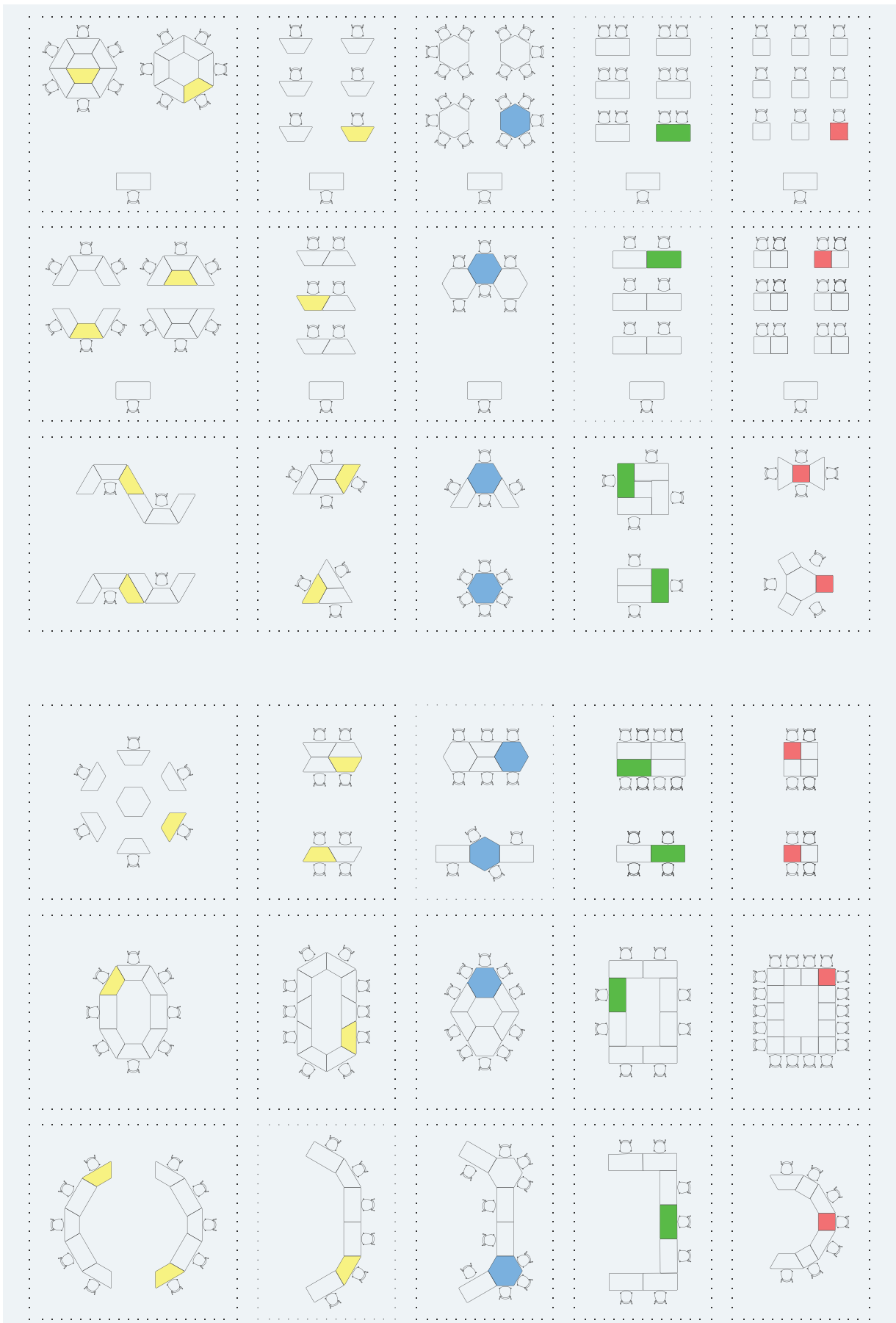


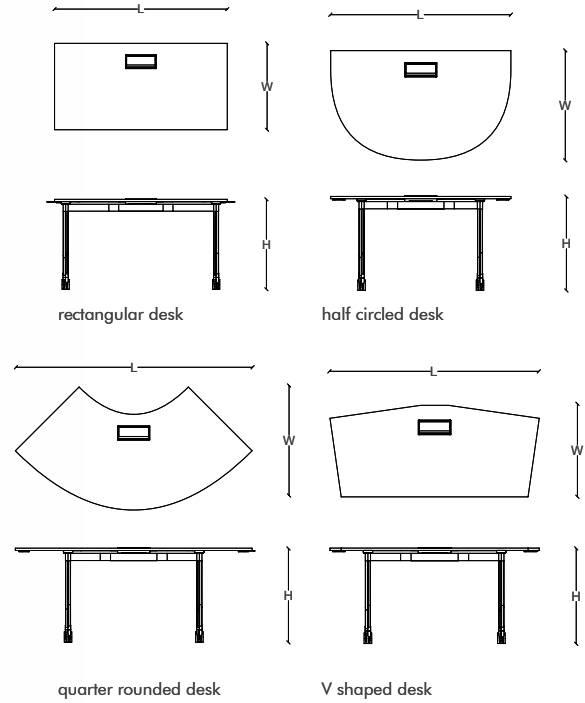
GAMA





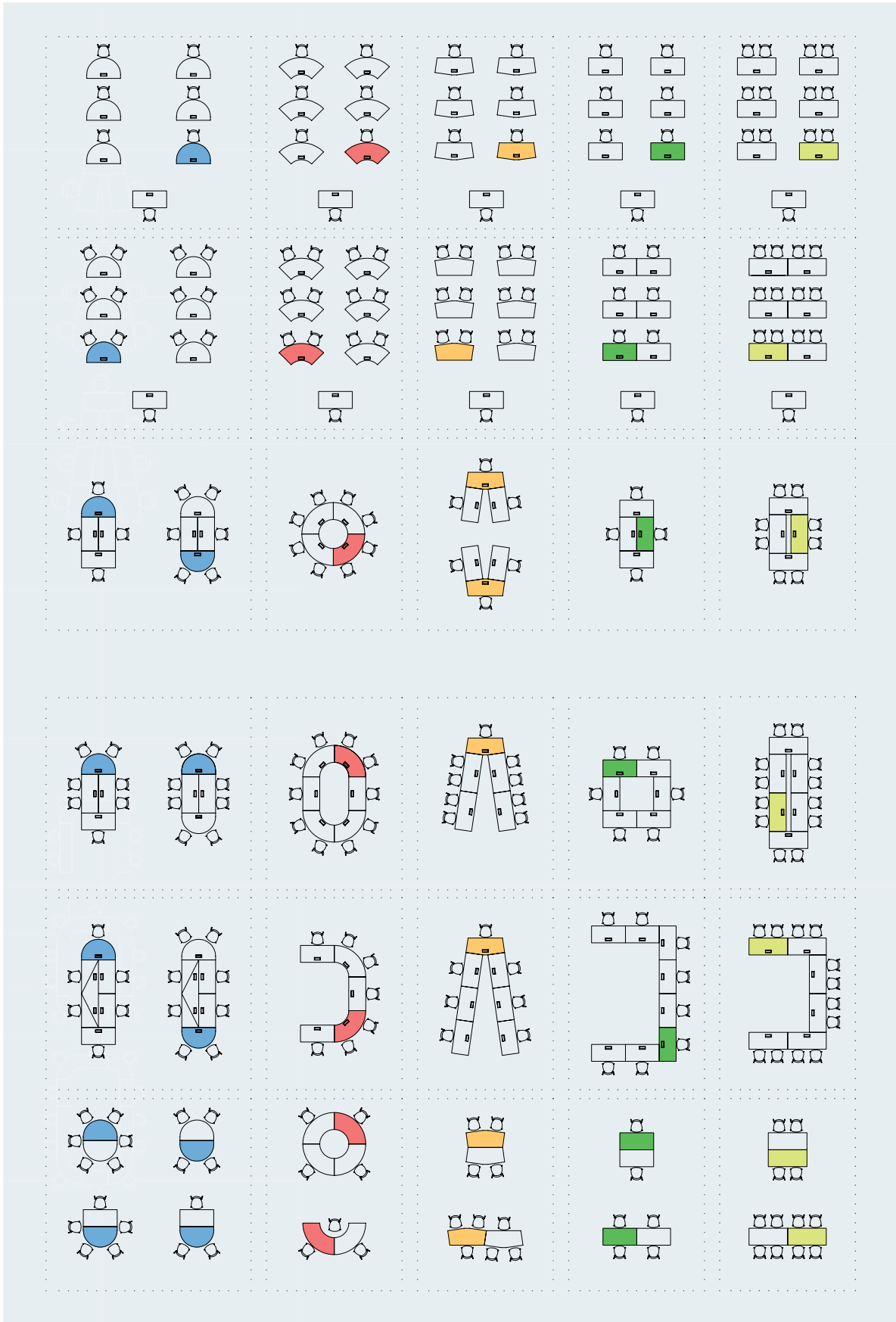
HANDY

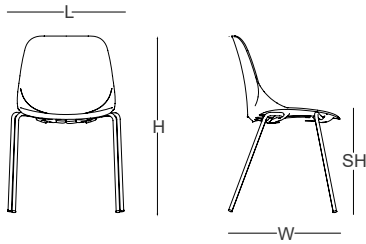
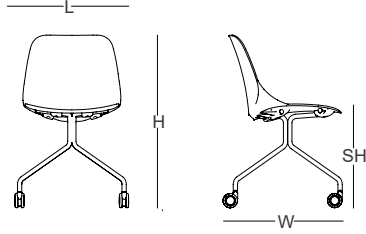




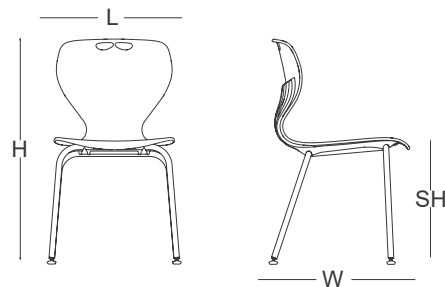
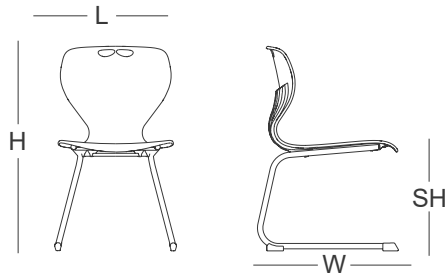
## RUNNER







QUICK



YOGA



POINT



BSR-992



BSR-993



BSR-994



BSR-995



BSR-996



BSR-997



BSR-998



BSR-999



BSR-1000





POLO



POLO



BSR-1001



BSR-1002



BSR-1003



BSR-1004



BSR-1005



BSR-1006



BSR-1007



SERENITY Z



SERENITY U



SERENITY STAR



CLASSY



QUIET



JASMIN



LIMA



BSR-1007



BSR-1008



BSR-1009



BSR-1010



BSR-1010



BSR-1011



BSR-1012



BSR-1013



BSR-1014



BSR-1015



DUREBLE





MODEST



COMFY





AMFI 003



AMFI 004



AMFI 005



AMFI 006



AMFI 007



AMFI 008



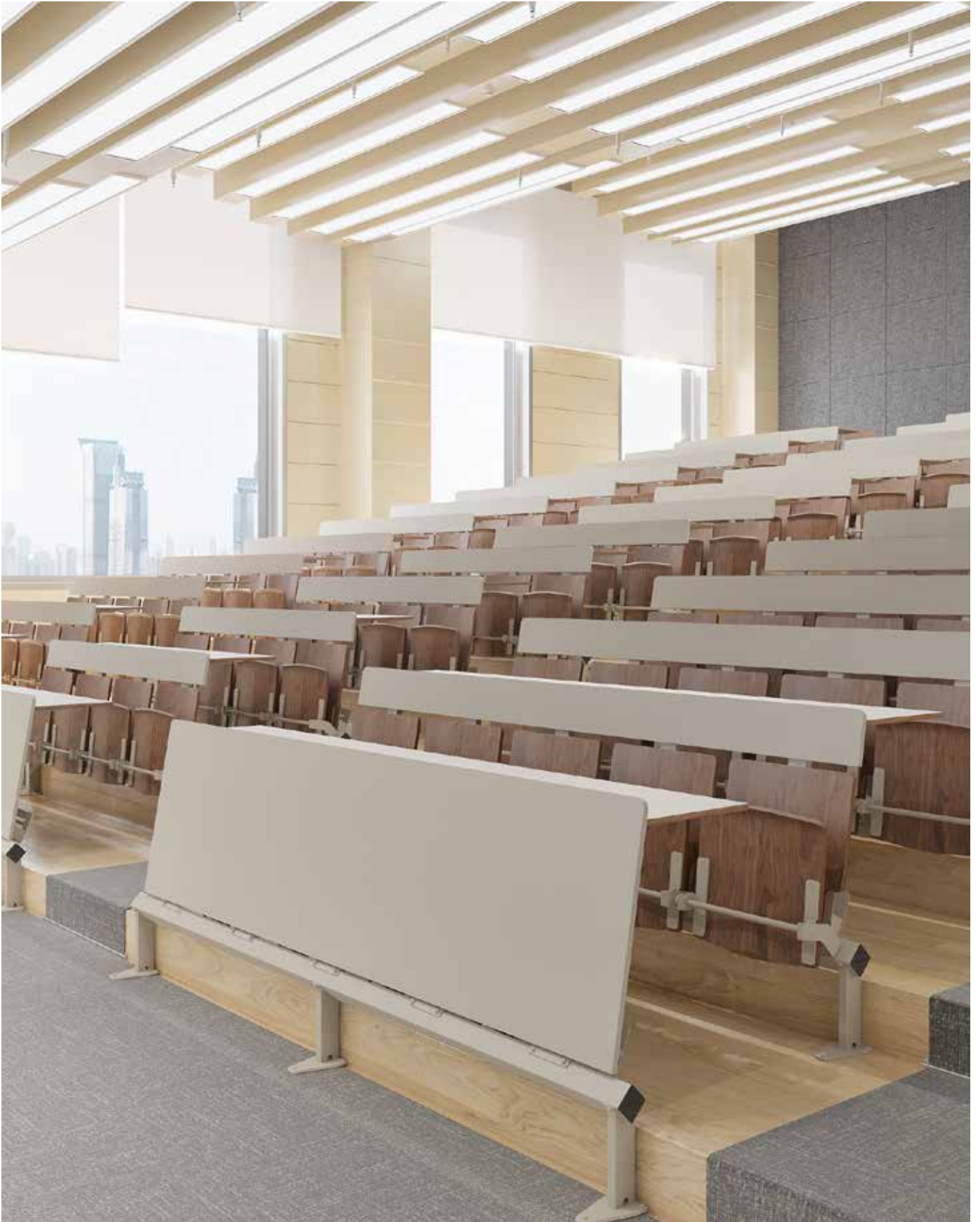
AMFI 009

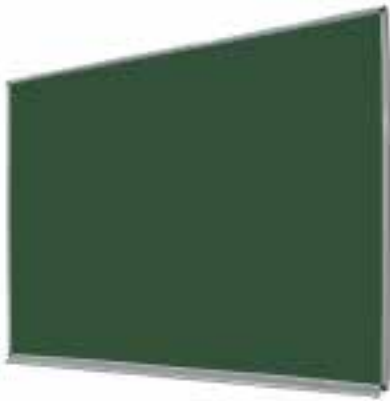


AMFI 010









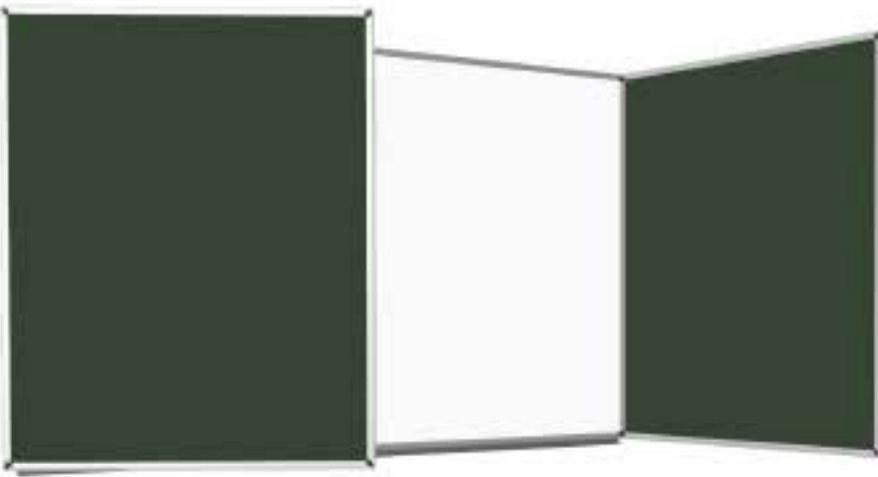
BSR-S-1001



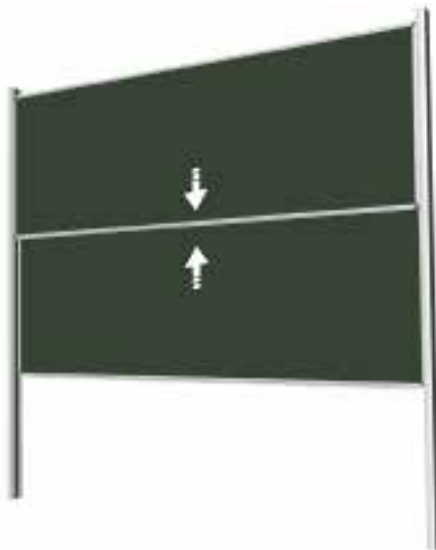
BSR-S-1002



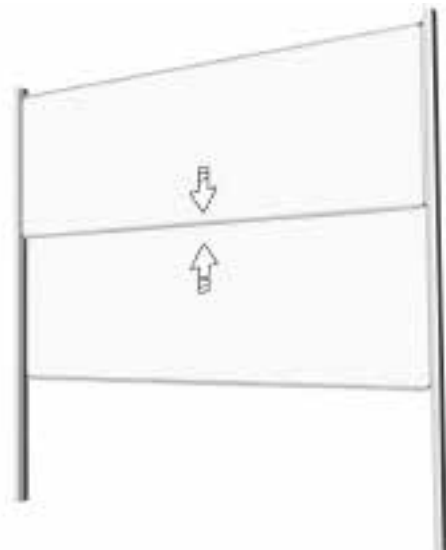
BSR-S-1003



BSR-S-1004



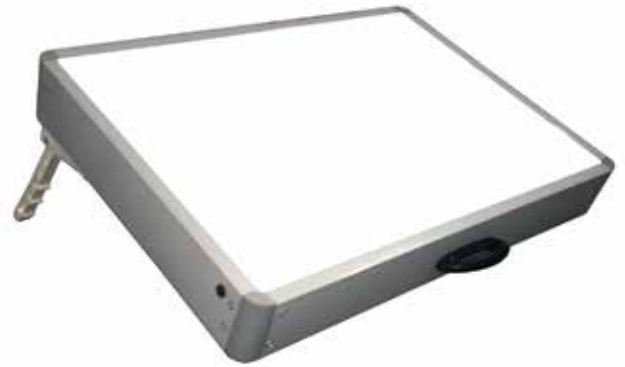
BSR-S-1005



BSR-S-1006



BSR-S-1007



BSR-S-1008



BSR-S-1009



BSR-S-1010



BSR-S-1011







VIZYON ART



SIMPLE



HANDY





BSR-S-1015



BSR-S-1016



BSR-S-1017



BSR-S-1018



BSR-S-1019



BSR-S-1020



BSR-S-1021



BSR-S-1022



BSR-S-1023



BSR-S-1024



BSR-S-1025



BSR-S-1026



BSR-S-1027



BSR-S-1028



BSR-S-1029



BSR-S-1030



BSR-S-1031





BSR-2001



BSR-2002



BSR-2003



BSR-2004







BSR-2005



BSR-2006



BSR-2007



BSR-2008



BSR-2009



BSR-2010



BSR-2011



BSR-2012



BSR-2013



BSR-2014



BSR-2015



BSR-2016



BSR-2016



BSR-2017

A photograph of a modern laboratory. The room features several white workstations with built-in sinks and adjustable lamps. Green ergonomic chairs are positioned at each workstation. In the background, there is a large window and a white cabinet. The overall atmosphere is clean and professional.

# LABORATORY PRODUCTS

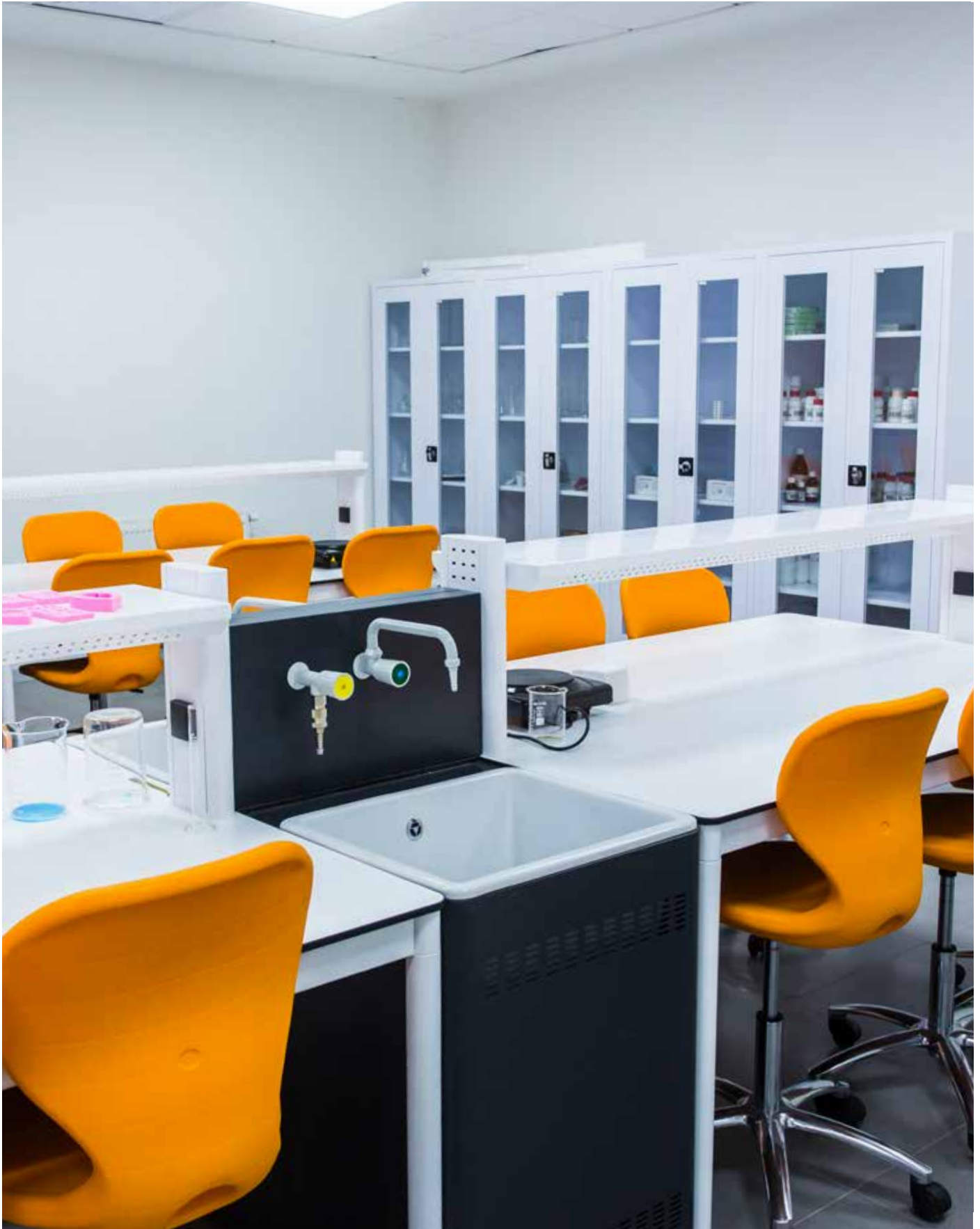
WE ALL KNOW THAT THE SAFETY OF STUDENTS IS OF THE FIRST PRIORITY. THEREFORE WE EQUIP YOUR LABORATORIES WITH THE LATEST TECHNOLOGY SYSTEMS.











## COLLEGE REC

### Table Top (Chemical Compact)

According to EN 438 standards the table is "Chemical Compact Laminated".

The table steel hitch connection. With the help of peg and bolt it is easy to demount and the spaces between two points is maximum 60cm.

The table steel hitch connection; a hole on compact's surface has been made by driller and with the help of screw it can be demounted also the space between two points is 60cm.

### Carrier System

Horizontal and vertical carrier are demountable. Oscillation is at maximum level.

### Gas Fitting

Gas fitting is according to international standards DIN12898, EN13792:2000, ISO228/1 ve DIN12918

### Water Fitting

The water and gas fittings on the table are according to the international standards of DIN12898, EN13792:2000, ISO228/1 ve DIN12918

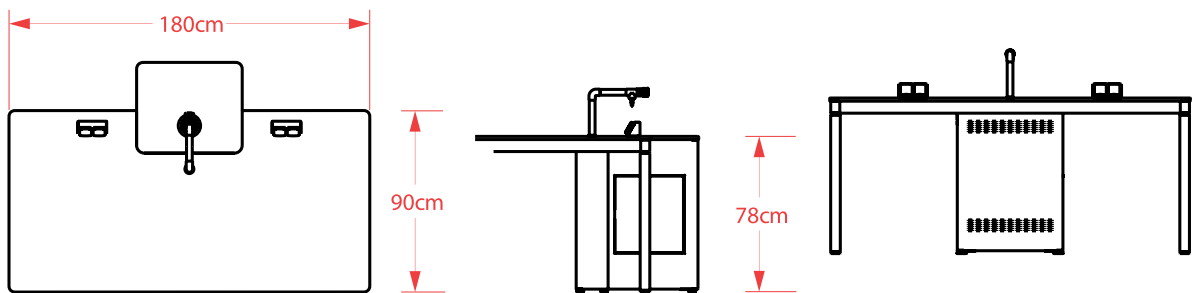
### Electric Sockets

It is compatible to 220V 16A and also below mentioned standards.

Electric Sockets, Compatible with "TV DIN VDE 0620-1(VDE 0620-1):2005-04"

Electric Sockets, compatible with "DIN49440 VE IEC 60884-1"

Electric sockets are manufactured with thermoplastic raw materials.



## ELECTRON

### Table Top (chemical Compact)

Compact laminated materials

### Carrier System

Horizontal and vertical carrier are demountable. Oscillation is at maximum level.

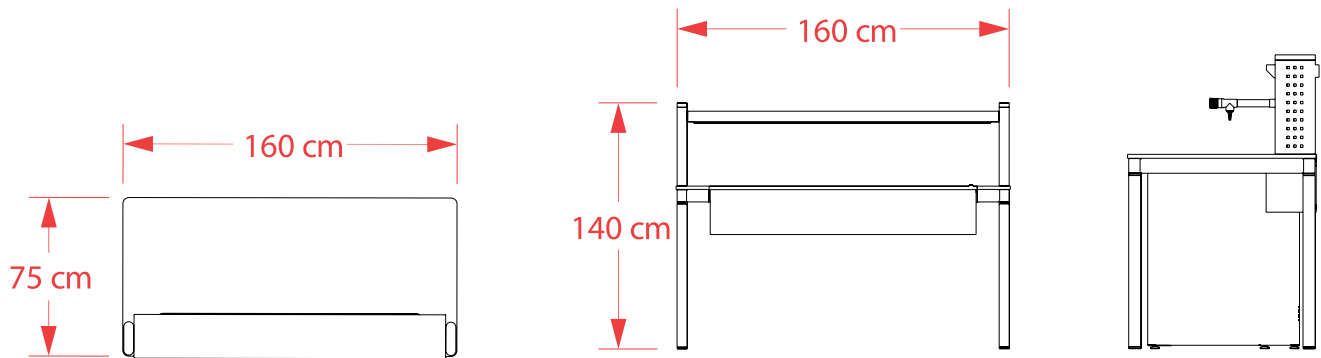
### Electric Sockets

It is compatible to 220V 16A and also below mentioned standards.

Electric Sockets, Compatible with "TVDIN VDE 0620-1(VDE 0620-1):2005-04"

Electric Sockets, compatible with "DIN49440 VE IEC 60884-1"

Electric sockets are manufactured with thermoplastic raw materials.





## ELECTRON & LARGE

### Power source

There are two power resource AC and DC on the device shown by digital indicator. Every sign AC and DC shows the power flow as A-V button as ampere and volt. Every indicator can work as ampere meter and voltmeter. It can be chosen as A/V button mode by the touch button next to indicator, the selected mode is shown as A and V with the LED lights near indicator.

The short circuit and overcurrent imported by AC or DC is shown on warning LED light.

DC output; between 0-24 V DC voltages, between 0-3A current.

Output is very sensitive and can be controlled by up/down button.

On DC panel once the voltage mode has been selected, it appears on voltage digital screen.

There is one button for output current/flow DC power resource adjusts the current from 0-3 ampere.

If the current is over loaded the system cuts the connection and gives warning through the overcurrent LED. If overcurrent has been led out of the power resource for longer time, device cuts the output voltage automatically to get it back to normal the up/down buttons should be used.

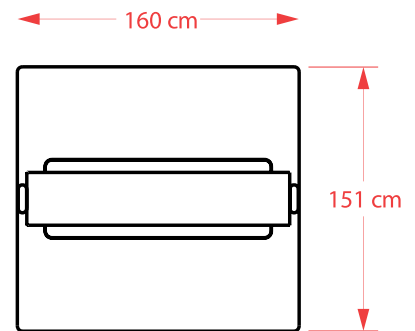
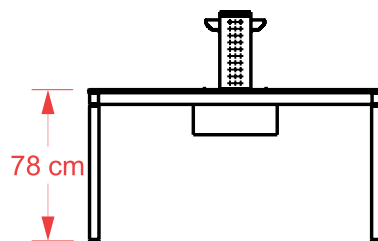
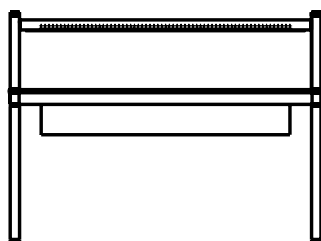
DC power resource has protection property against short circuit or overcurrent.

AC output; can provide from 0-24v DC voltage and 0.3A current.

After selecting voltage mode from AC panel, it will be appeared on digital screen.

After voltage adjustments to protect output from voltage fluctuation it delay 1 to 2 seconds.

Symmetric DC output; power resource between +12V and -12V has symmetrical power output.



## ELECTRON & WATER

### Table Top ( Chemical Compact)

According to EN 438 standards the table is "Chemical Compact Laminated".

The table steel hitch connection. With the help of peg and bolt it is easy to demount and the spaces between two points is maximum 60cm.

The table steel hitch connection; a hole on compact's surface has been made by driller and with the help of screw it can be demounted also the space between two points is 60cm.

### Carrier System

Horizontal and vertical carrier are demountable. Oscillation is at maximum level.

### Sink and Water System

Ceramic sink with dimension of 53x46.

### Gas Fitting

Gas fitting is according to international standards DIN12898, EN13792:2000, ISO228/1 ve DIN12918

### Water Fitting

The water and gas fittings on the table are according to the international standards of DIN12898, EN13792:2000, ISO228/1 ve DIN12918

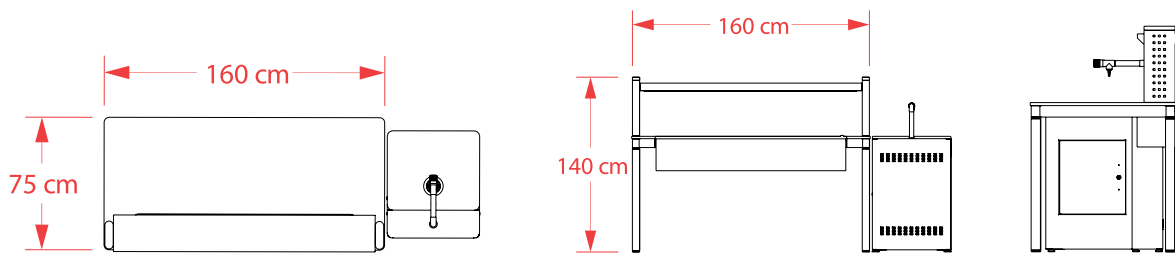
### Electric Sockets

It is compatible to 220V 16A and also below mentioned standards.

Electric Sockets, Compatible with "TV DIN VDE 0620-1(VDE 0620-1):2005-04"

Electric Sockets, compatible with "DIN49440 VE IEC 60884-1"

Electric sockets are manufactured with thermoplastic raw materials.



## COLLEGA CLASS

### Table Top ( Chemical Compact)

According to EN 438 standards the table is "Chemical Compact Laminated".

The table steel hitch connection. With the help of peg and bolt it is easy to demount and the spaces between two points is maximum 60cm.

The table steel hitch connection; a hole on compact's surface has been made by driller and with the help of screw it can be demounted also the space between two points is 60cm.

### Carrier System,

Horizontal and vertical carrier are demountable. Oscillation is at maximum level.

### Gas Fitting

Gas fitting is according to international standards DIN12898, EN13792:2000, ISO228/1 ve DIN12918

### Water Fitting

The water and gas fittings on the table are according to the international standards of DIN12898, EN13792:2000, ISO228/1 ve DIN12918

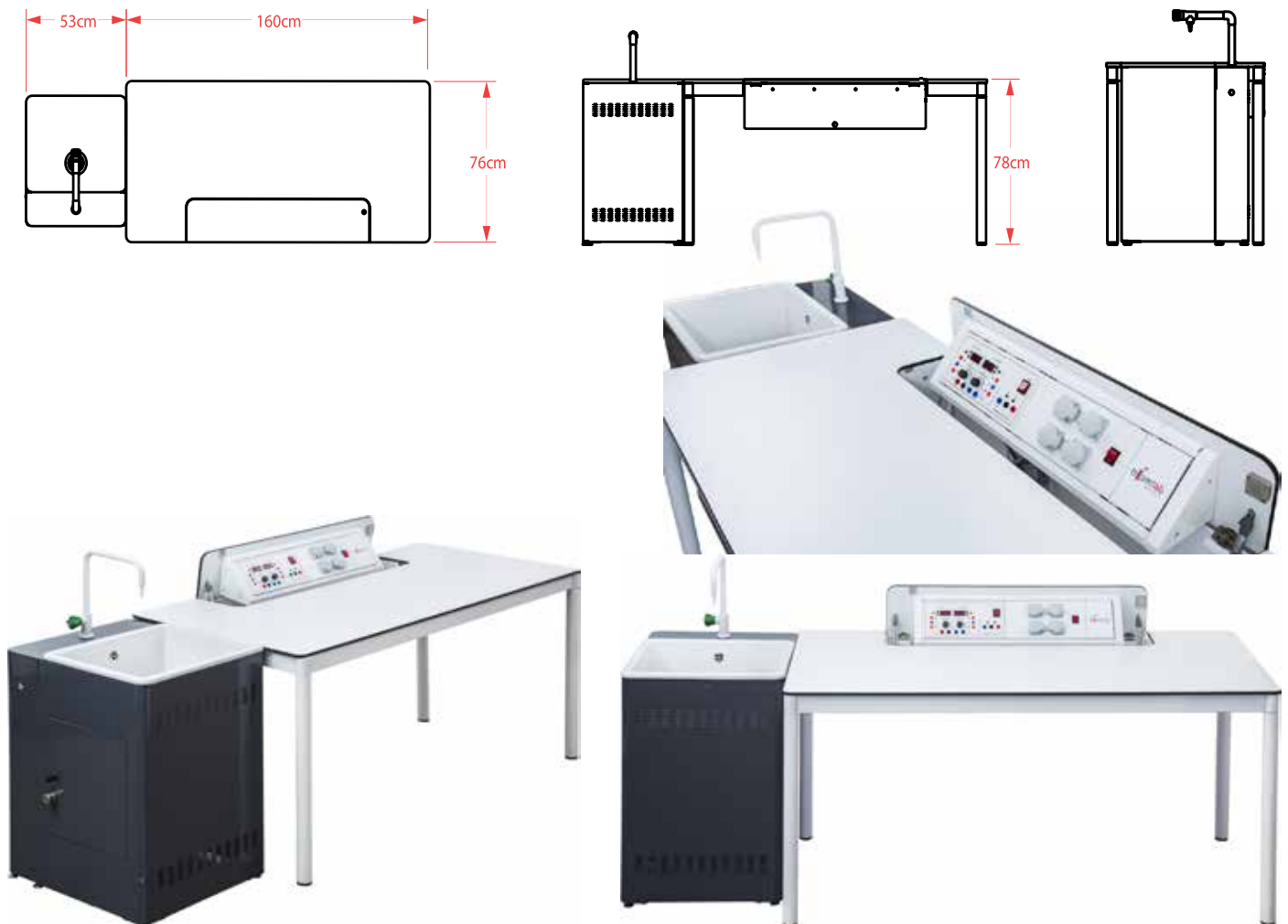
### Electric Sockets

It is compatible to 220V 16A and also below mentioned standards.

Electric Sockets, Compatible with "TV DIN VDE 0620-1(VDE 0620-1):2005-04"

Electric Sockets, compatible with "DIN49440 VE IEC 60884-1"

Electric sockets are manufactured with thermoplastic raw materials.



## OCTAGONEL

### Table Top ( Chemical Compact)

According to EN 438 standards the table is "Chemical Compact Laminated".

The table steel hitch connection. With the help of peg and bolt it is easy to demount and the spaces between two points is maximum 60cm.

The table steel hitch connection; a hole on compact's surface has been made by driller and with the help of screw it can be demounted also the space between two points is 60cm.

### Carrier System,

Horizontal and vertical carrier are demountable. Oscillation is at maximum level.

### Sink and Water System.

Ceramic sink with dimension of 53x46.

### Gas Fitting

Gas fitting is according to international standards DIN12898, EN13792:2000, ISO228/1 ve DIN12918

### Water Fitting

The water and gas fittings on the table are according to the international standards of DIN12898, EN13792:2000, ISO228/1 ve DIN12918

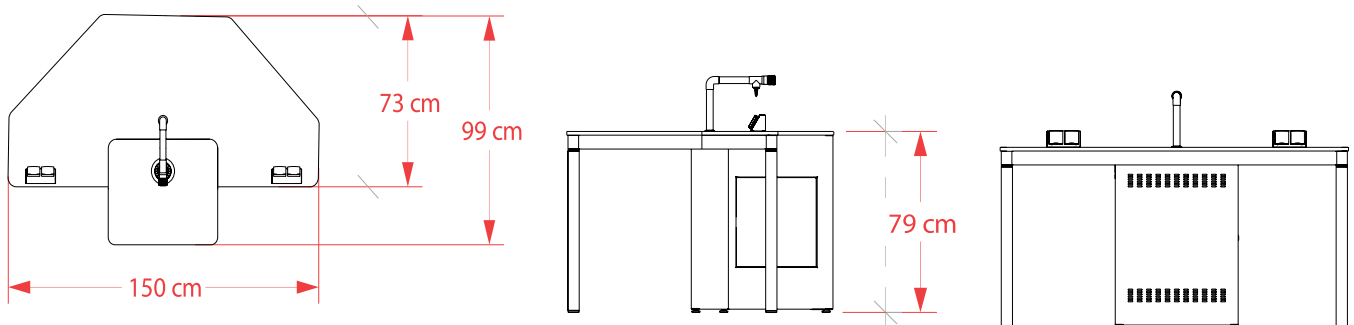
### Electric Sockets

It is compatible to 220V 16A and also below mentioned standards.

Electric Sockets, Compatible with "TV DIN VDE 0620-1(VDE 0620-1):2005-04"

Electric Sockets, compatible with "DIN49440 VE IEC 60884-1"

Electric sockets are manufactured with thermoplastic raw materials.





## RADON

### Working Surface;

Chemical laminated compact: it is chemical resistant laminated compact based on EN438 standards.

### Accessories:

The mountable equipment column, water fittings are according to international standards DIN12898, EN13792:2000, 180228/1 and DIN12918

The mountable equipment column, gas fittings are according to international standards DIN12898, EN13792:2000, 180228/1 ve DIN12918

Electric Sockets; are 220V 16A and compatible with the below standards

Electric sockets: compatible with "TVDIN VDE 0620-1(VDE 0620-1):2005-04" Standards

Electric sockets: compatible with "DIN49440 VE IEC 60884-1" Standards

Electronic Sockets: can be mounted as shown in plan over installment tap, in four groups. Electric Sockets are thermoplastic.

### Shelves

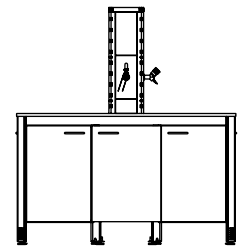
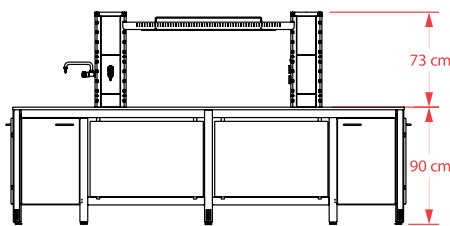
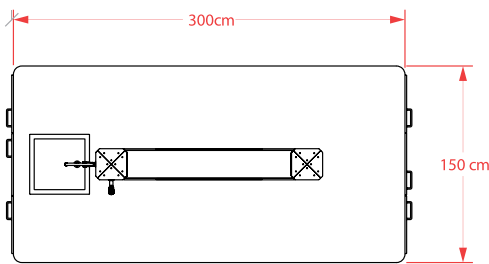
The horizontal shelves in Tesisat are 2mm ( $\pm 0.5$ mm) galvanized steel material.

Horizontal shelves will have 150cm length and 5cm thickness and will be between two TESISAT Column.

The connection of horizontal shelf with column is not visible and demounted, also there are holes for cables. Under the horizontal shelves there are space for LED light. The shelf below is 3cm over table.

Cabinet system mm E MDF laminated the doors of the cabinets are

The cabinet are made of 2mm and the edges are made of 0.40mm PVC. The cabinets are manufactured in modular way and it can be demounted without use of any electronic equipment. Also it can have wheels. Cabinet doors have chrome covered horizontal handles.



## ECOLOGY

### Industrial Ceramic:

Unlimited chemical resistance made of industrial techno ceramic. 26mm length and width. The sink 295x145x165 made of ceramic is available in working surface area. The device is resistance in any heat or concentration towards acid (except hydrographic acid), alkali, salt, and organic solutions.

2 Chemical laminated compact: it is chemical resistant laminated compact based on EN438 standards.

### Accessories:

The mountable equipment column, water fittings are according to international standards DIN12898, EN13792:2000, 180228/1 and DIN12918

The mountable equipment column, gas fittings are according to international standards DIN12898, EN13792:2000, 180228/1 and DIN1'2918

Electric Sockets; are 220V 16A and compatible with the below standards

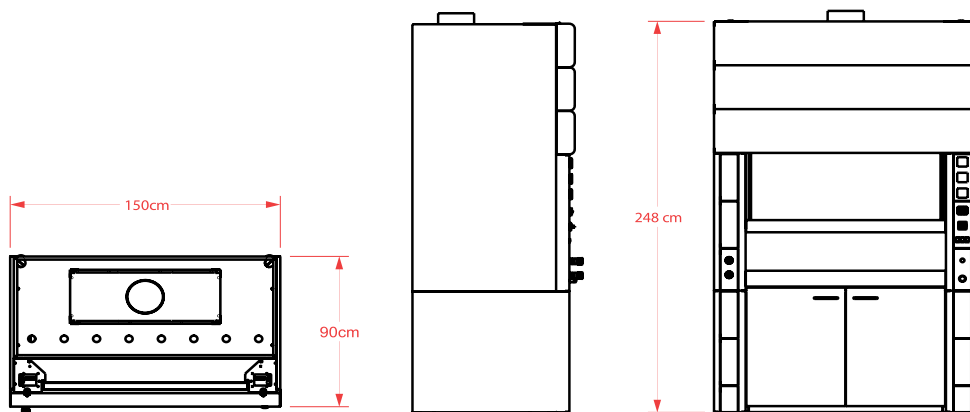
Electric sockets: compatible with (TVDIN VDE 0620-1(VDE 0620-1):2005-04) Standards

Electric sockets: compatible with (DIN49440 VE IEC 60884-1) Standards

Electronic Sockets: can be mounted as shown in plan over installment tap, in four groups. Electric Sockets are thermoplastic.

### Air Emitting System

You can control the Air Emitting system on electric panels of device. The capacity of air flow minimum 300 m<sup>3</sup>/h; and maximum 900 m<sup>3</sup>/h and every aperture has a 0.50m/s capacity too. The fume fan is made of polypropylene and snail roof type. The fan motors are 3 phase 380V, 50Hz, IP55 and should be installed out of the building. Fan motor strength should be chosen based on flow and pressure loss. The average pressure loss of the fume hood is 1350m<sup>3</sup>/h.





BSR-3001



BSR-3002



BSR-3003



BSR-3004



BSR-3005



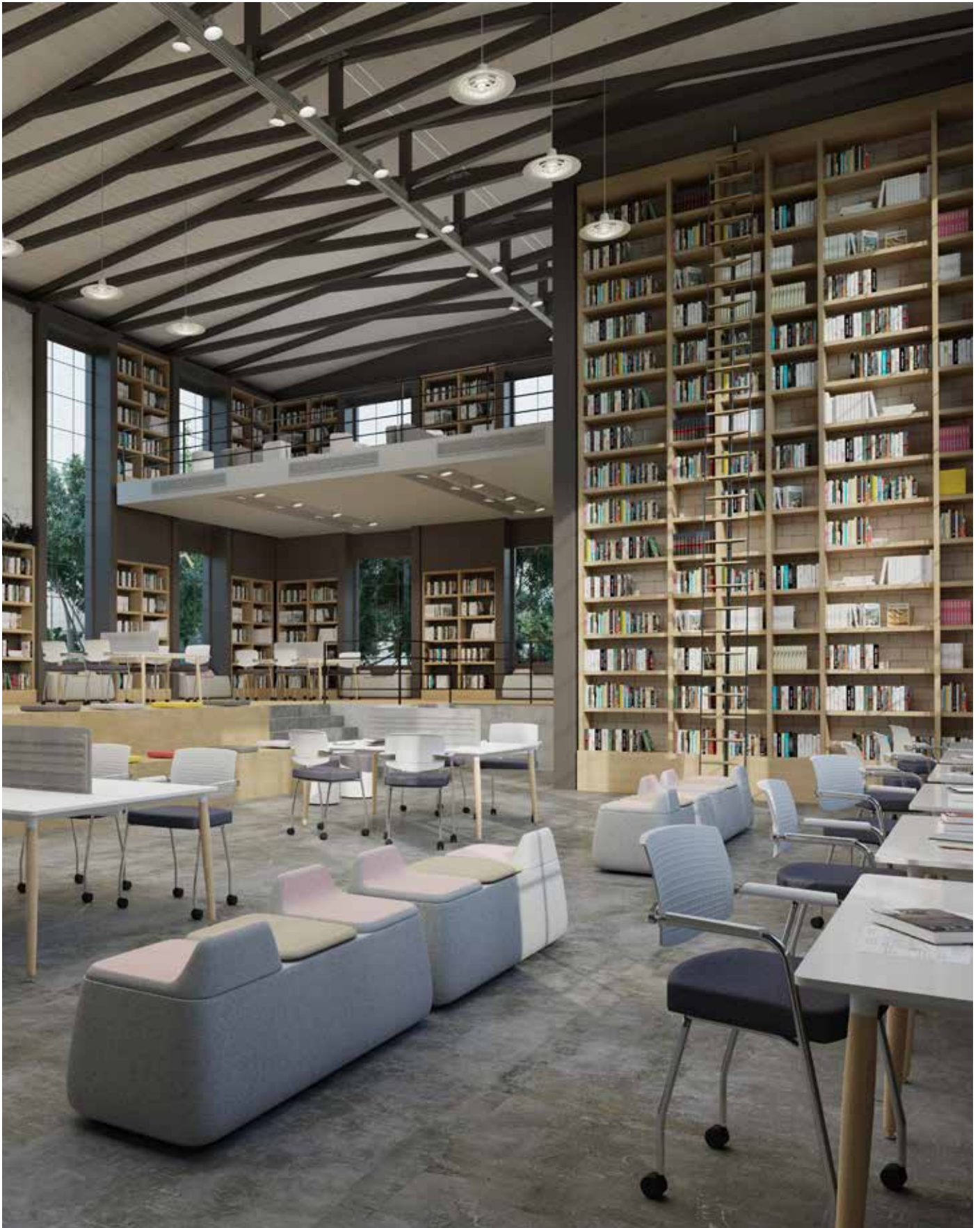
BSR-3006



# LIBRARY PRODUCTS

**YOUR STUDENTS WILL STUDY  
THEIR LESSONS FOR HOURS WITH  
A COMFORTABLE AND HEALTHY  
FURNITURE**

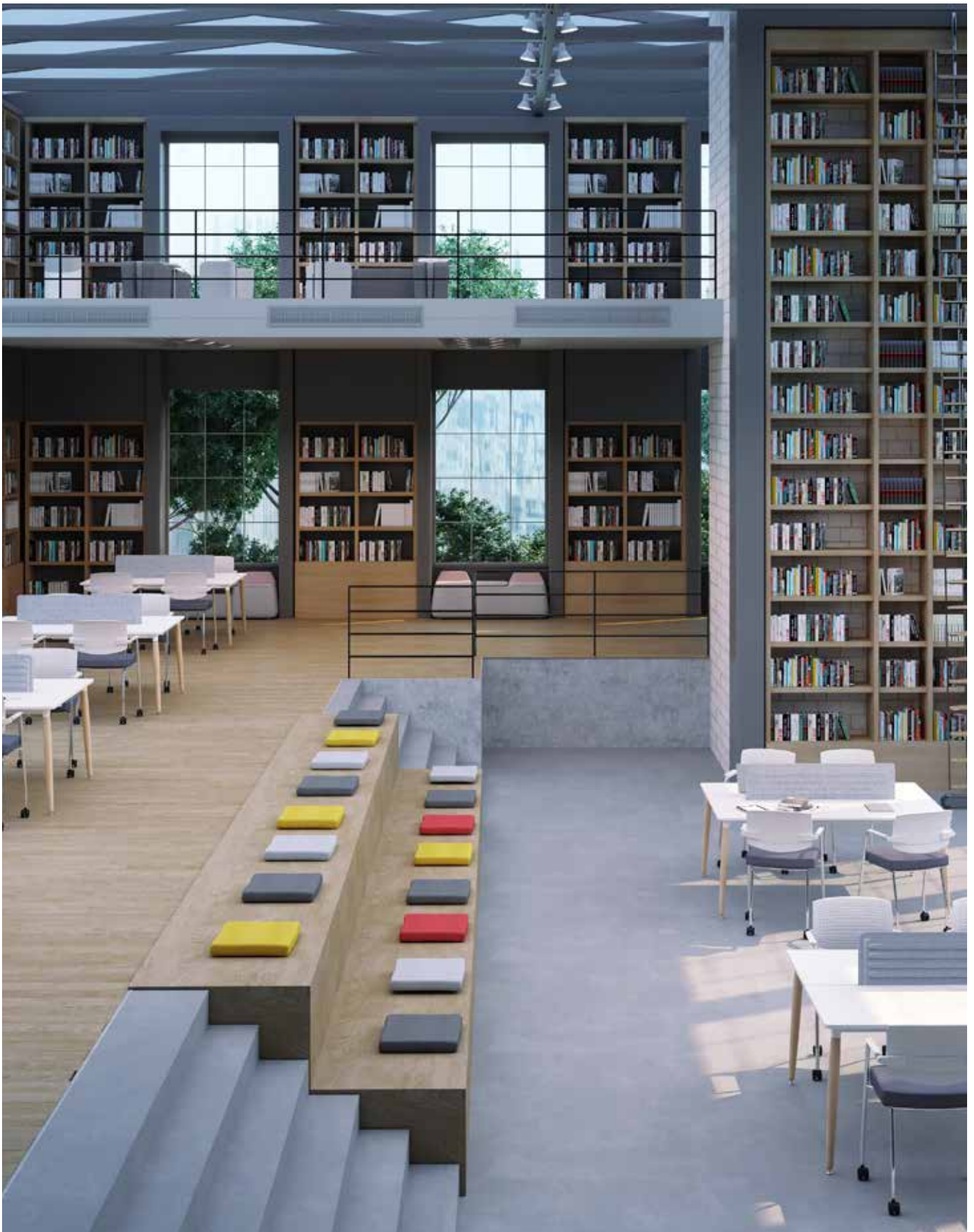














BSR-5007



BSR-5008



BSR-5009



BSR-5010



BSR-5010



BSR-5011



BSR-5012



BSR-5013



BSR-5014



BSR-5015



BSR-5016



BSR-5019



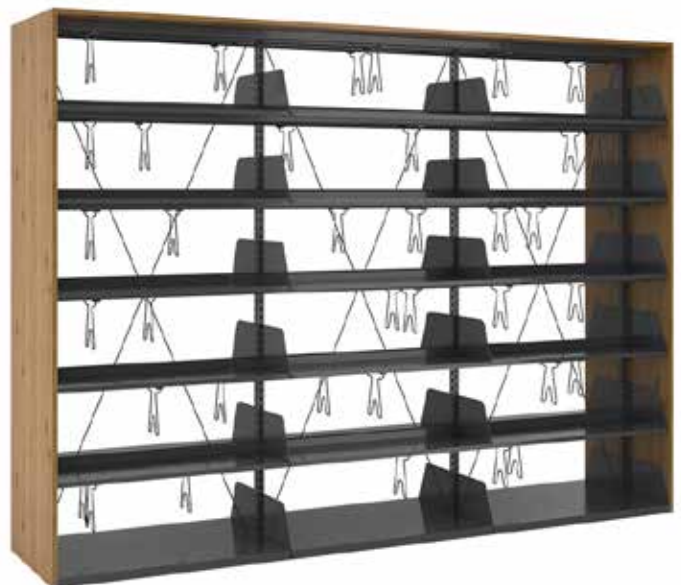
BSR-5020



BSR-5021



BSR-5022





BSR-5023



BSR-5024



# **DINING HALLS & CANTEENS**

**HAVE A NICE MEAL OUR FUTURE  
LEADERS.**











BSR-6001



BSR-6002



BSR-6003



BSR-6004



BSR-6005



BSR-6006



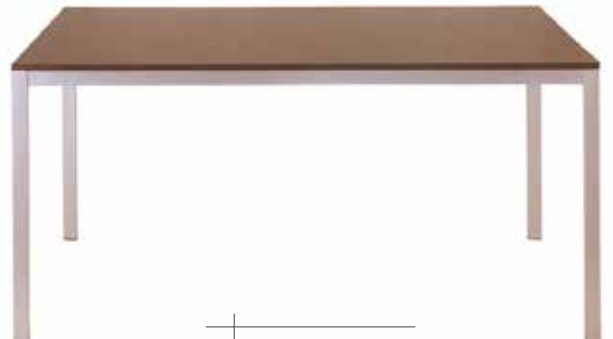
BSR-6007



BSR-6008



BSR-6009



BSR-6010



BSR-6011



BSR-6012



BSR-6013



BSR-6014



BSR-6015



BSR-6016



BSR-6017



BSR-6018









BSR-6023



BSR-6024



BSR-6025





BSR-6026



BSR-6027



BSR-6028





BSR-6029



BSR-6030

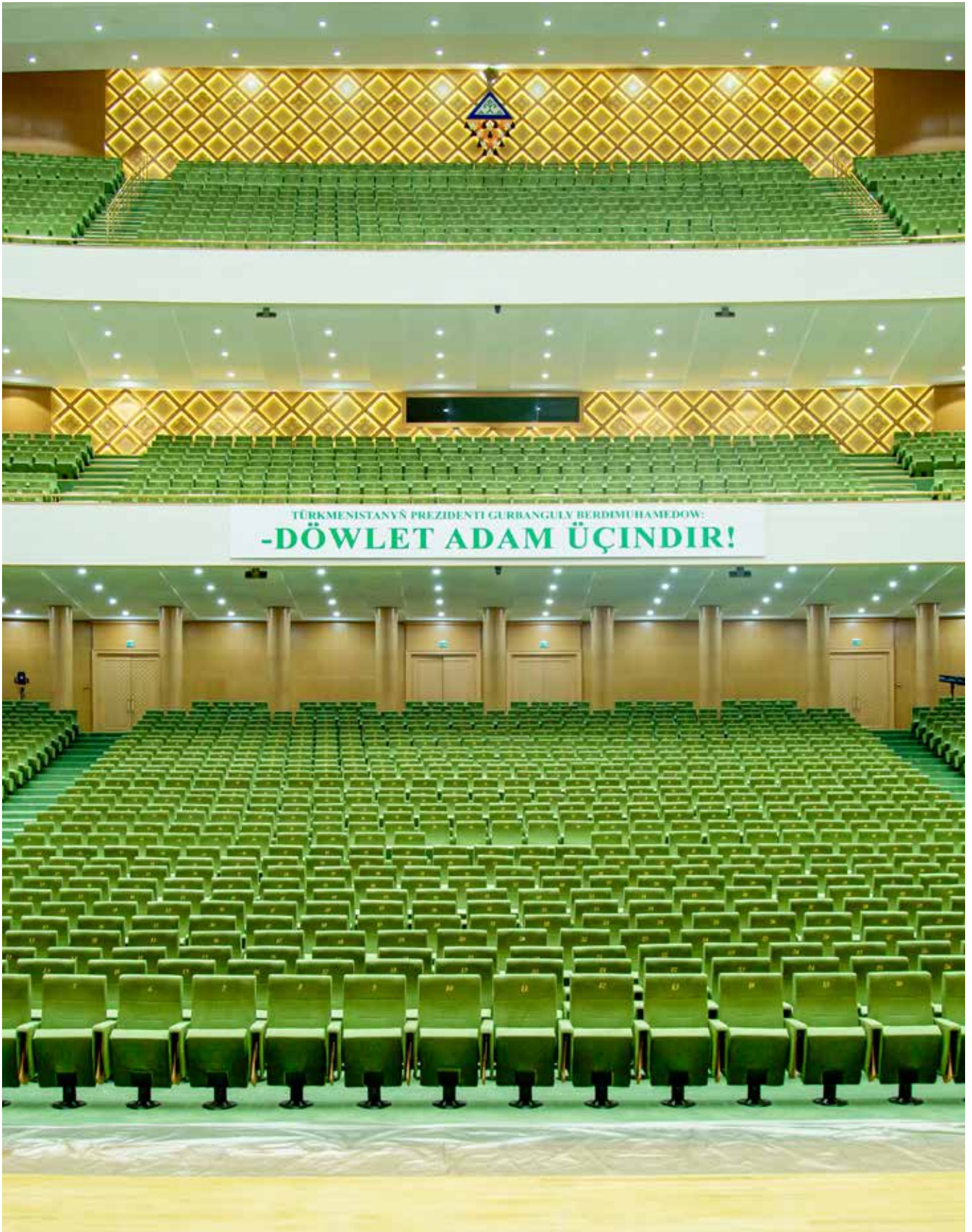


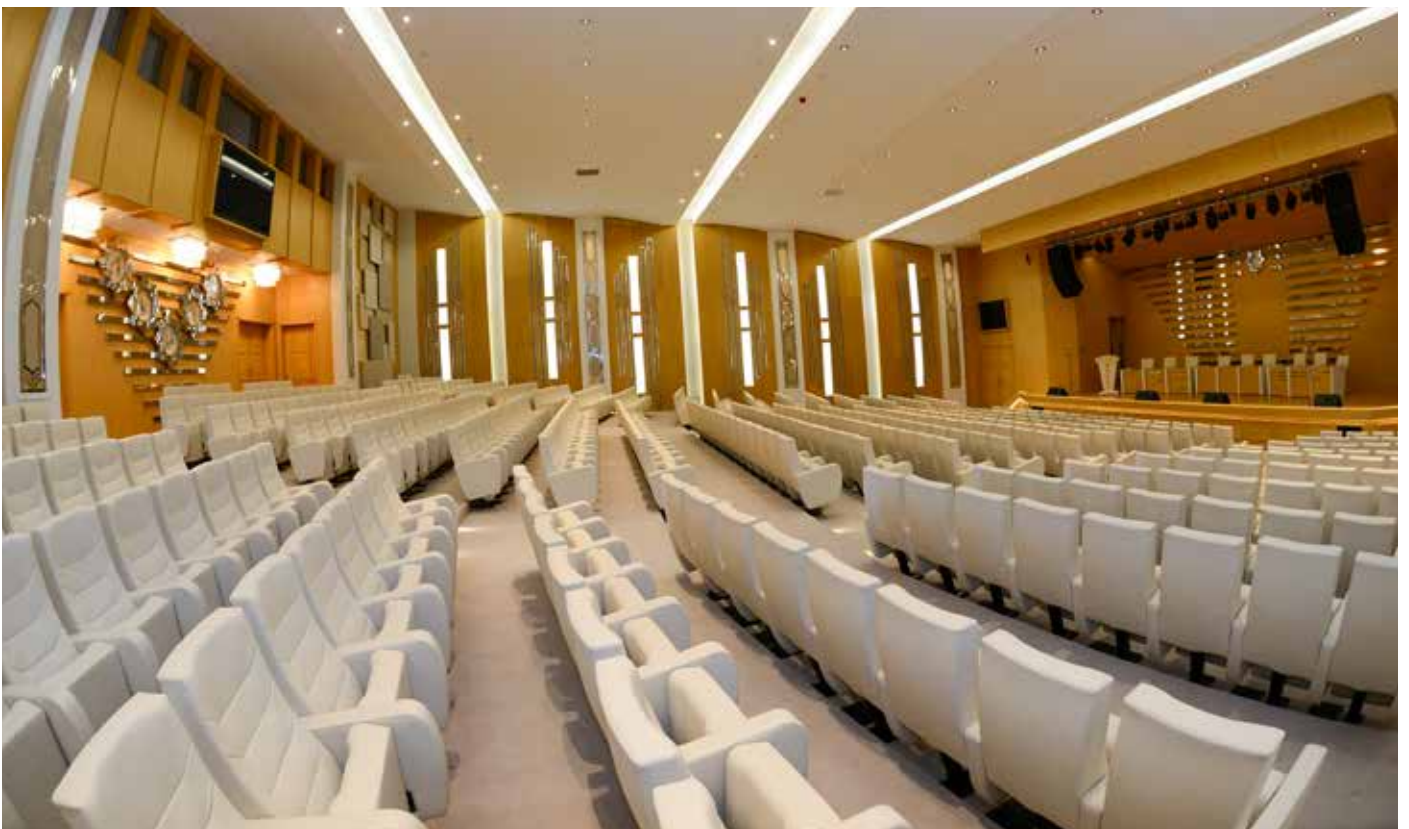
BSR-6031



# CONFERENCE HALLS

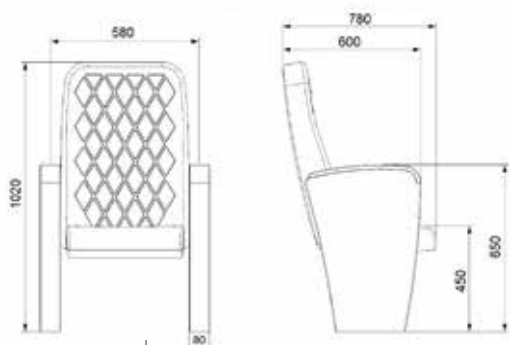
CONFERENCE HALLS ARE YOUR  
PRESTIGE



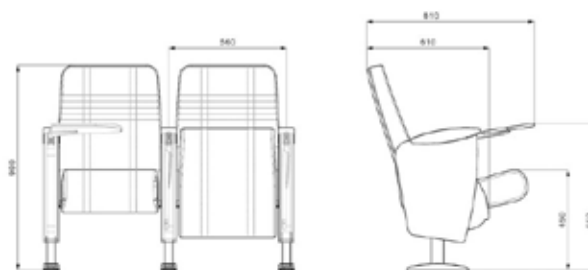




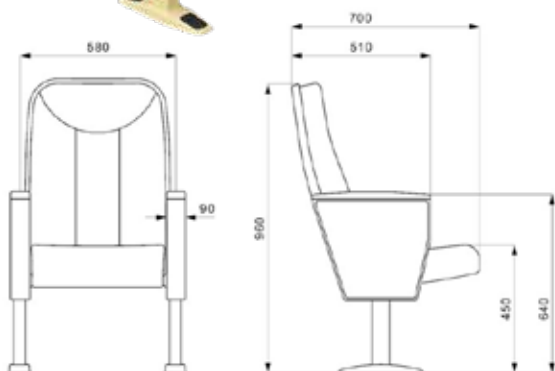




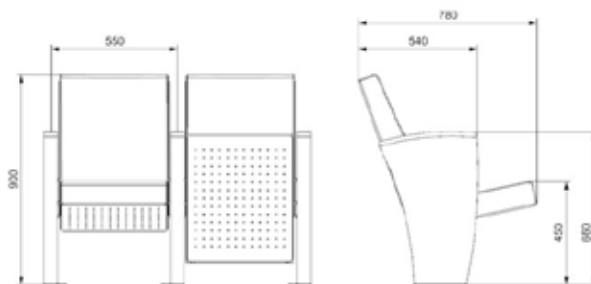
**BSR-7001**



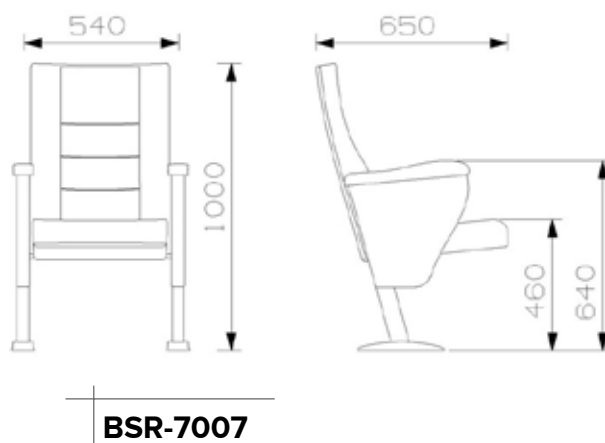
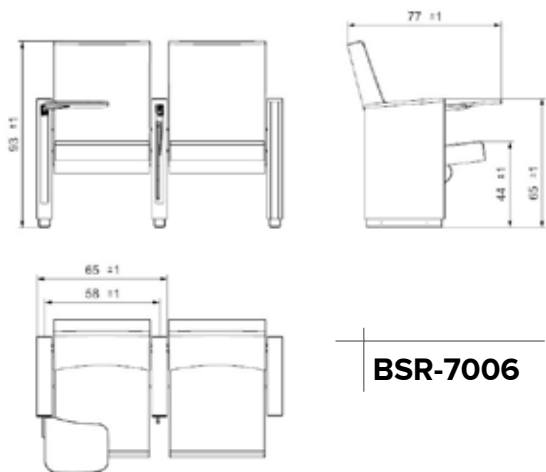
**BSR-7002**

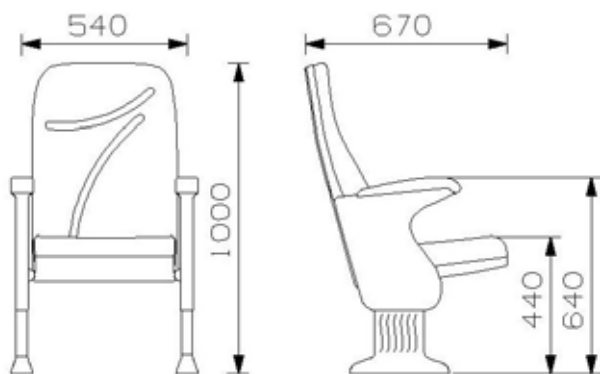


BSR-7003

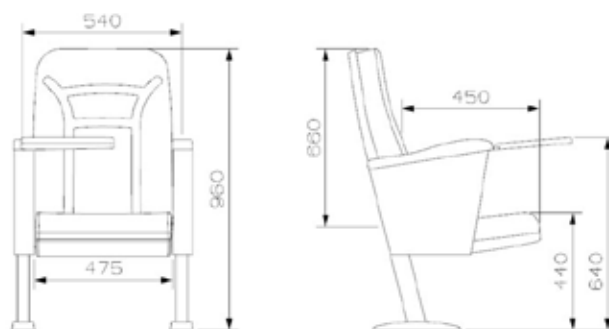


BSR-7004

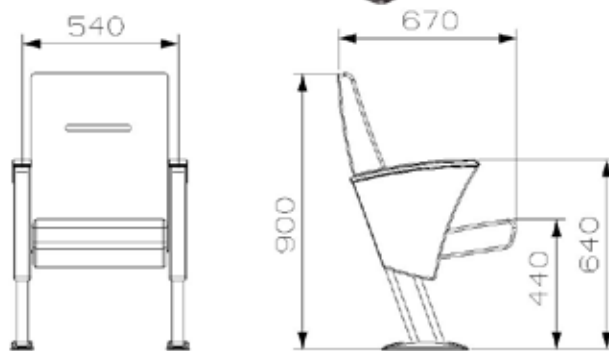
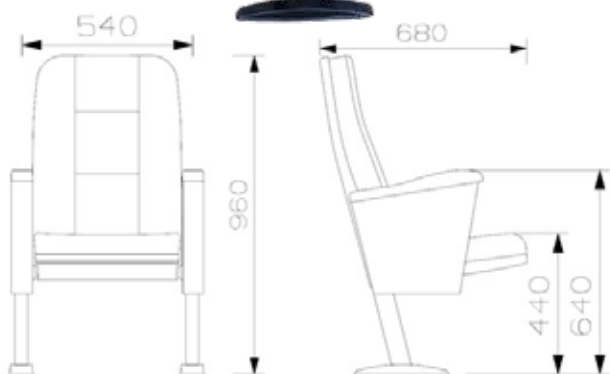




**BSR-7008**

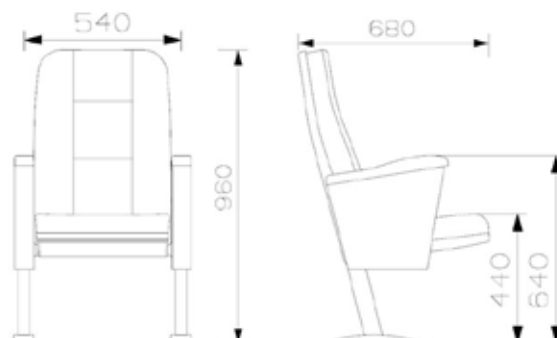
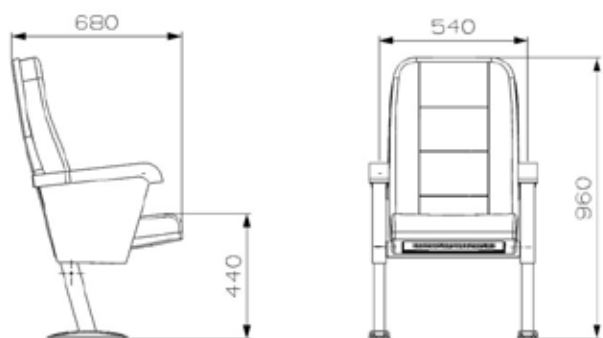


**BSR-7009**



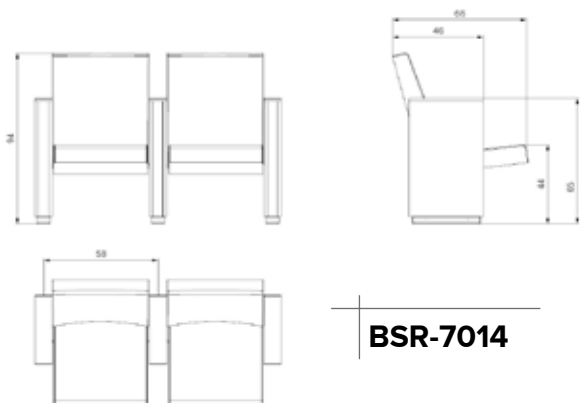
**BSR-7010**

**BSR-7011**

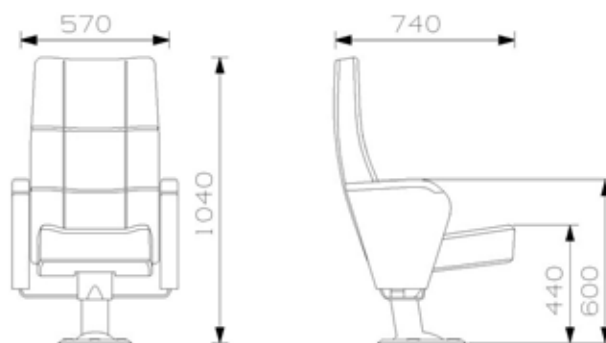


**BSR-7012**

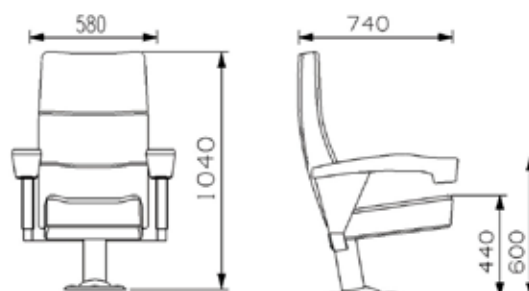
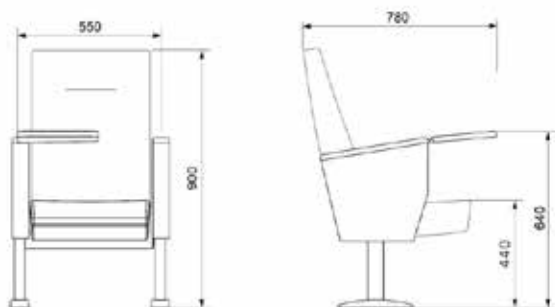
**BSR-7013**



BSR-7014



BSR-7015



BSR-7016

BSR-7017





# OFFICE FURNITURE

REFLECT YOUR LIDERSHIP SOUL  
TO THE FURNITURE









CORE



STRIPE





GRID





ERA







PUZZLE





STRIPE





BISTRODEN





RUNNER





FIORE



ARAKAN



AURA





FREE



GREY





ICON



HARE



GILDA



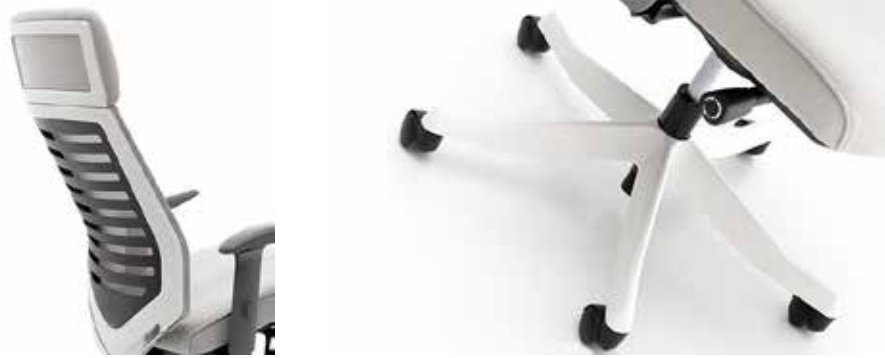


SWAN





RARE



MAGNATE



ASIST



COZY



COMFY



POINT





BOLD



POINT

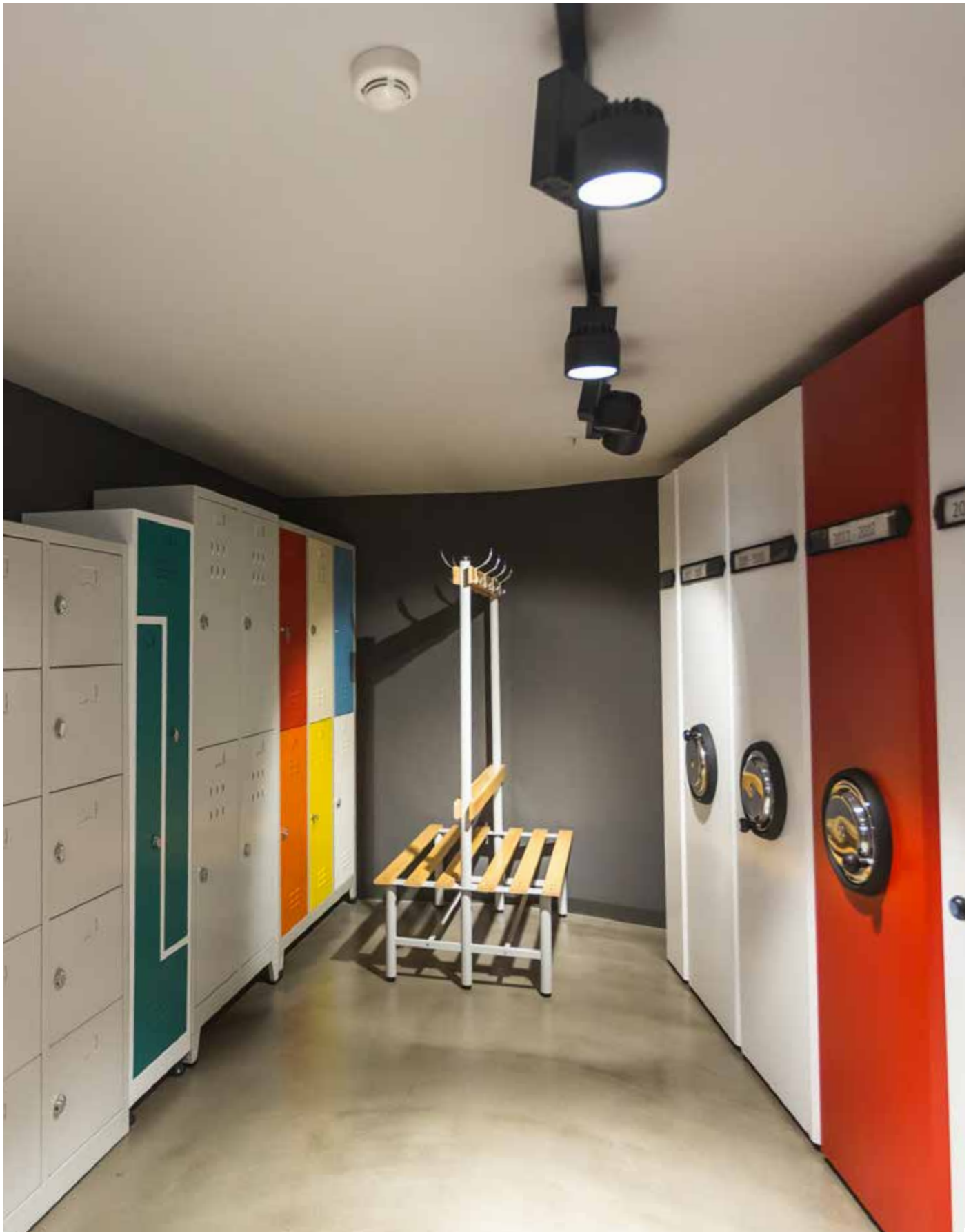




**SATIŞ**

# **METAL AND FILING CABINETS**

**ARCHIVES ARE NOW MORE  
STABLE AND SECURE!**





BSR-8001



BSR-8002



BSR-8003



BSR-8004



BSR-8005



BSR-8006



BSR-8007



BSR-8008



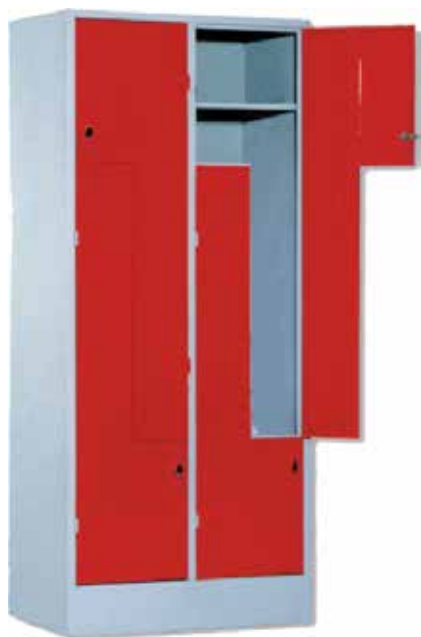
BSR-8009



BSR-8010



BSR-8011



BSR-8012



BSR-8013



BSR-8014



BSR-8015



BSR-8016



BSR-8017



BSR-8018



BSR-8019



BSR-8020



BSR-8021



BSR-8022



BSR-8023



BSR-8024



BSR-8025



BSR-8026



BSR-8027



BSR-8029



BSR-8028





BSR-8030



BSR-8031



BSR-8032



BSR-8033

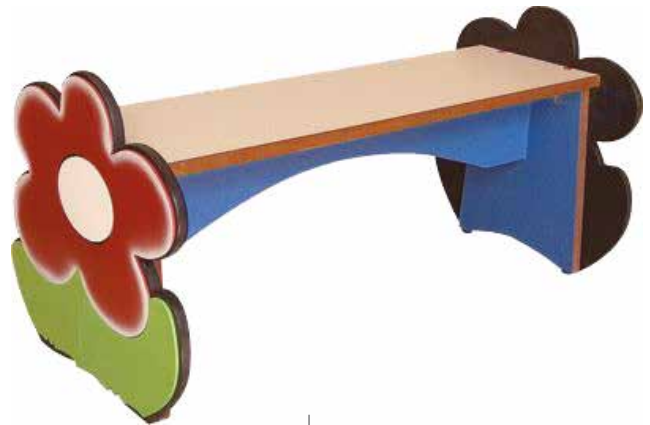


# NURSERY AND KINDERGARTEN

**WE'RE SURE YOU WANT TO  
RETURN TO YOUR CHILDHOOD.**



BSR-9001



BSR-9002



BSR-9003



BSR-9004



BSR-9005



BSR-9006

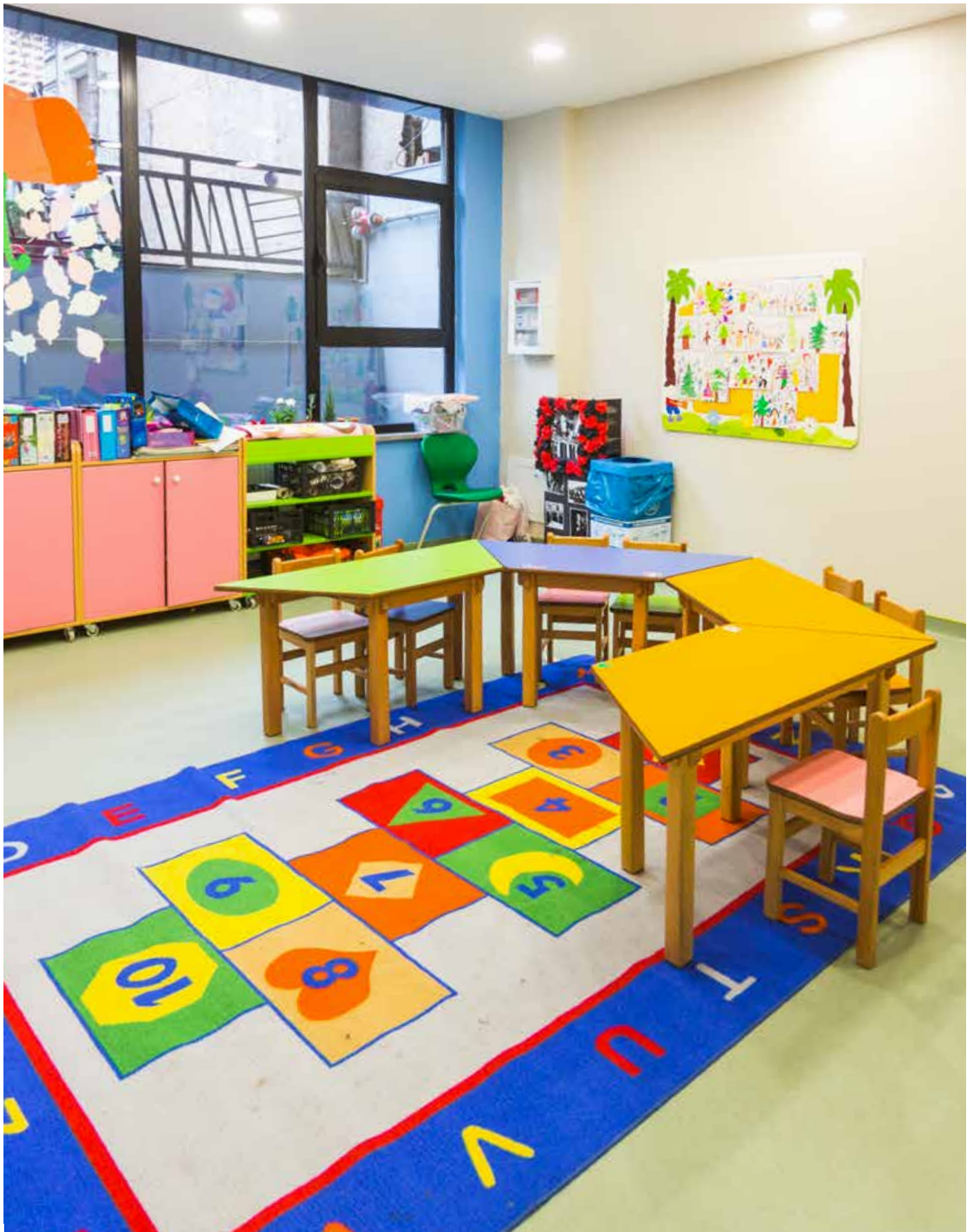












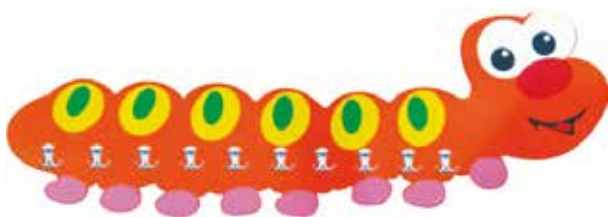




BSR-9007



BSR-9008



BSR-9009



BSR-9010



BSR-9011



BSR-9012



BSR-9013



BSR-9014



BSR-9015



BSR-9016



BSR-9017



BSR-9018



BSR-9019



BSR-9020



BSR-9021



BSR-9022



BSR-9023



BSR-9024



BSR-9025



BSR-9026



BSR-9027



BSR-9028



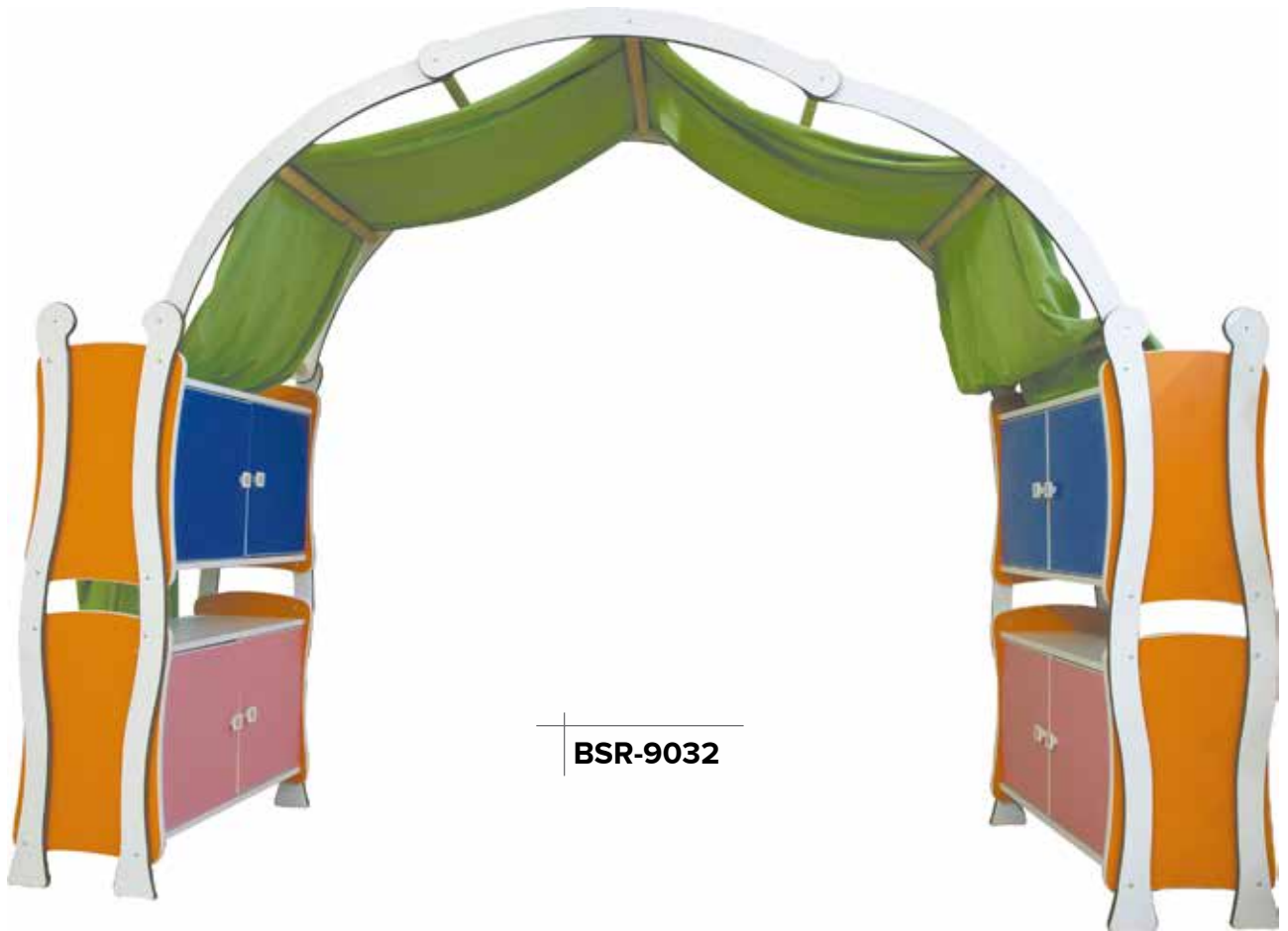
BSR-9029



BSR-9030



BSR-9031



BSR-9032



BSR-9033





BSR-9034



BSR-9035



BSR-9036



BSR-9037



BSR-9038



BSR-9039



BSR-9040



BSR-9041



BSR-9042



BSR-9043



BSR-9044



BSR-9045



BSR-9046



BSR-9047



BSR-9048



BSR-9049



BSR-9050



BSR-9051



BSR-9052



BSR-9053



BSR-9054



BSR-9055



BSR-9056



BSR-9057



BSR-9058



BSR-9059



BSR-9060



BSR-9061



BSR-9062



BSR-9063



BSR-9064



BSR-9065



BSR-9066



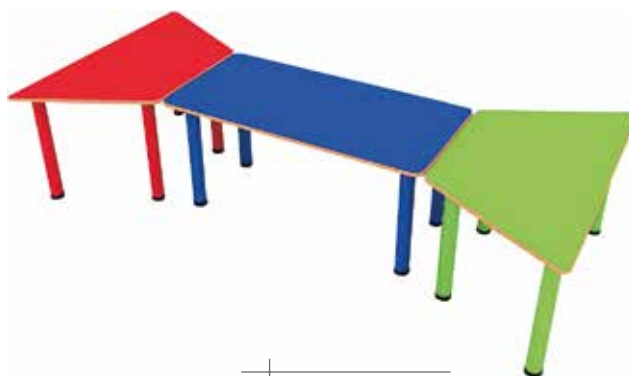
BSR-9067



BSR-9068



BSR-9069



BSR-9070



BSR-9071



BSR-9072



BSR-9073



BSR-9074







BSR-9075



BSR-9076



BSR-9078



BSR-9077



BSR-9079



BSR-9080



BSR-9081



BSR-9082



BSR-9083



BSR-9084



BSR-9085



BSR-9086



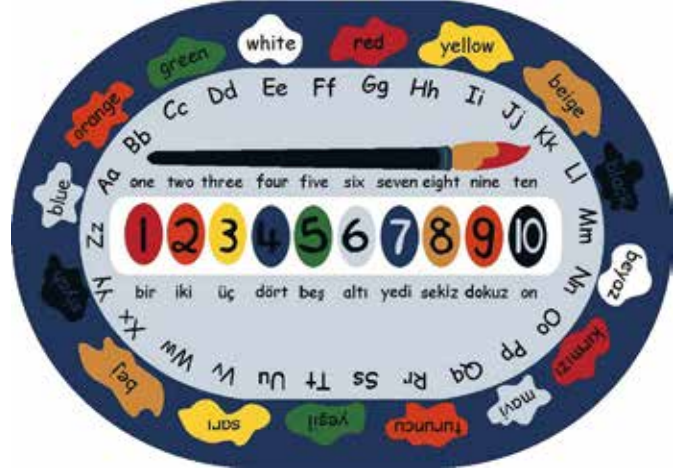
BSR-9087



BSR-9088



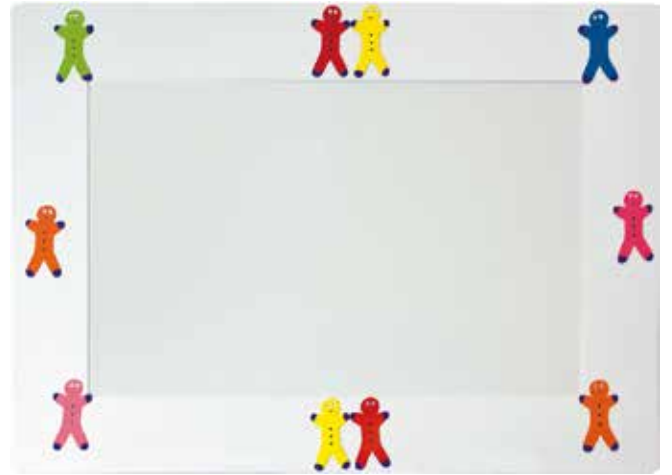
BSR-9089



BSR-9090



BSR-9091



BSR-9092



BSR-9093



BSR-9094



BSR-9095



BSR-9096



BSR-9097



BSR-9098



BSR-9099



BSR-9100



BSR-9101



BSR-9102



BSR-9103



BSR-9104



BSR-9105



BSR-9106



BSR-9107



BSR-9108



BSR-9109



BSR-9111



BSR-9110



BSR-9112





BSR-9113



BSR-9114



BSR-9115



BSR-9116



BSR-9117